

### FEATURED MODEL

441419 Pull-Out Spray, ANTHRACITE

### ADDITIONAL MODELS

- 441417 Pull-Out Spray, CHROME
- 441418 Pull-Out Spray, SATIN NICKEL
- 441420 Pull-Out Spray, TRUFFLE
- 441421 Pull-Out Spray, BISCOTTI
- 441422 Pull-Out Spray, CAFE BROWN
- 441516 Pull-Out Spray, CINDER

### FEATURES

- Solid brass body and pull-out spray
- Ceramic disk cartridge
- Extra long supply lines
- 1.8 GPM flow rate saves 20% more water
- Installation in a 1-3/8" hole
- Color coded hot and cold supply lines
- 120 degree spout swivel
- 2" maximum deck thickness
- Meets CALGREEN requirements for water-saving usage

### OPTIONAL ACCESSORIES

- Alta Soap Dispenser: 440047 (Anthracite)
- Milano Soap Dispenser: 440048 (Anthracite)

### CODE/STANDARDS COMPLIANCE

- ASME A112.18.1-2011
- NSF 61 certified
- NSF 61 ANEX G low lead requirements

**AB1953 Lead Free**

Listed with California Energy Commission  
CMR 248 - MA

### WARRANTY

BLANCO'S kitchen and bar faucets feature a LIMITED LIFETIME WARRANTY to be free of all manufacturing defects under normal use. See our complete warranty for details.

While BLANCO endeavors to provide accurate information, all dimensions are nominal, cannot be guaranteed, and are subject to change or cancellation. BLANCO assumes no responsibility for use of superseded or voided specifications.

### JOB INFORMATION

Job Name: \_\_\_\_\_

Contact: \_\_\_\_\_

Date Specified: \_\_\_\_\_

Specifier: \_\_\_\_\_

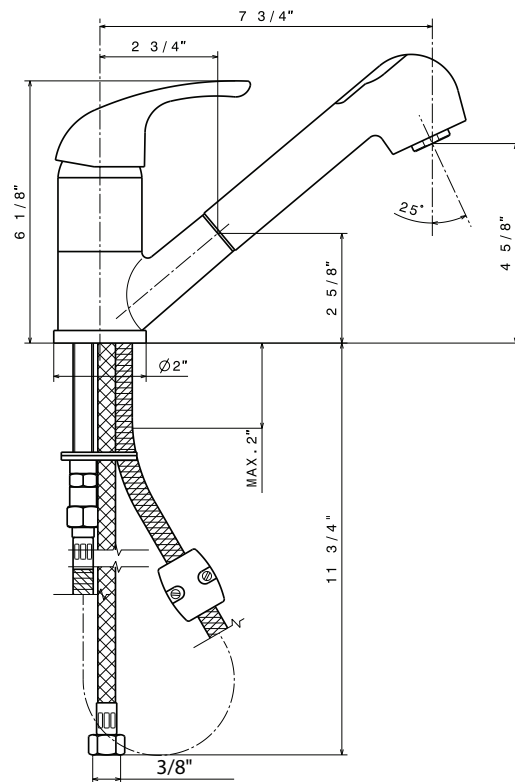
Contractor: \_\_\_\_\_



Model 441418 shown

### NOMINAL DIMENSIONS

REACH	SPOUT HEIGHT	FAUCET HEIGHT
7-3/4"	4-5/8"	6-1/8"



See next page for exploded parts drawing and parts list.

**BLANCO AMERICA**

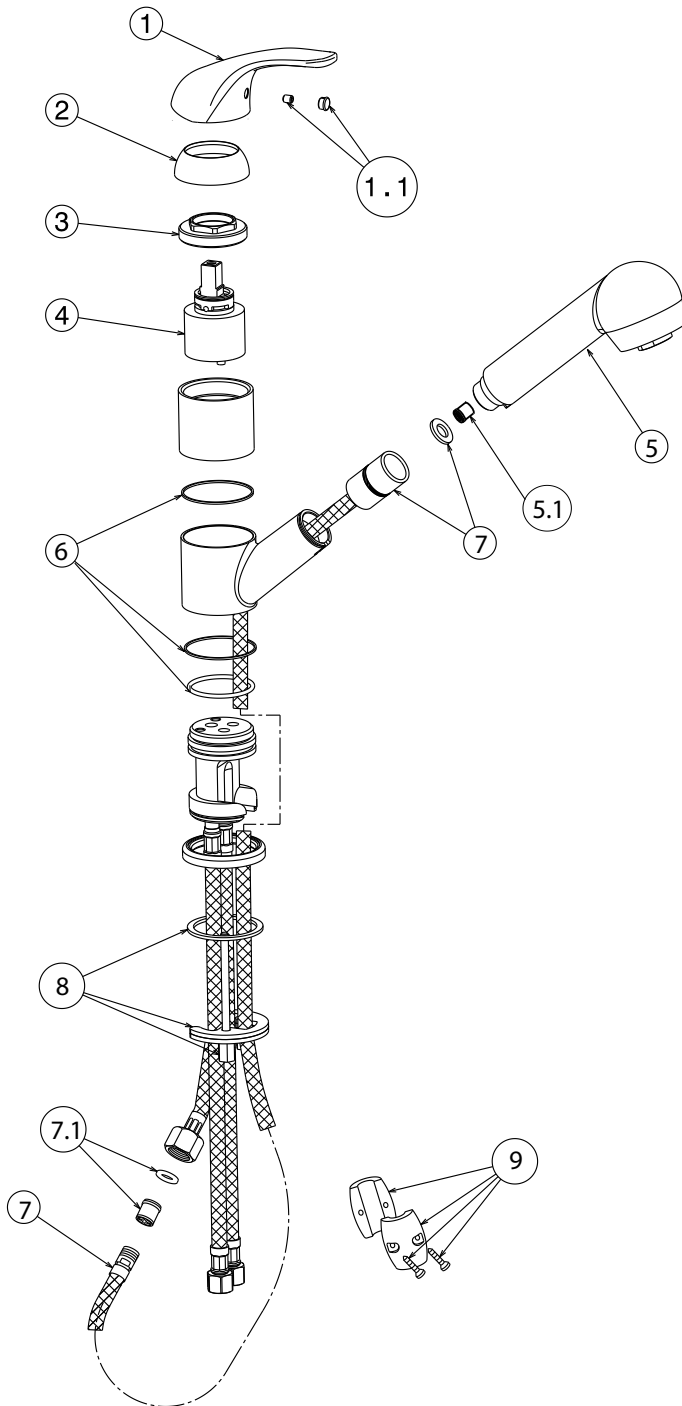
800.451.5782

www.blancoamerica.com

© 2013 BLANCO AMERICA

10/14

SPEC-004



REPAIR PART GUIDE		
Num.	Description	Part #
1, 1.1	Handle - Anthracite	441904
1.1	Handle screw and cap	440889
2	Cartridge - Cap	441911
3	Cartridge Lock Nut	441914
4	Cartridge	441058
5, 5.1	Handspray - Anthracite 1.8	441945
5.1	Flow regulator 1.8	441445
6	Ring set	441915
7	Hose kit	441111
7.1	Flow regulator/check valve	441713
8	Mounting set	441918
9	Weight	441917

**Need to Change a Faucet Cartridge?**



Scan this QR code  
to see our how-to video

For faucet technical support or questions,  
please e-mail us at [faucets@blancoamerica.com](mailto:faucets@blancoamerica.com)