

### FEATURED MODEL

519456 Super Single, 7-7/8" & 5-1/2" bowl depths, TRUFFLE

### ADDITIONAL MODELS

519450 Super Single, 7-7/8" & 5-1/2" bowl depths, ANTHRACITE

519451 Super Single, 7-7/8" & 5-1/2" bowl depths, CINDER

519452 Super Single, 7-7/8" & 5-1/2" bowl depths, METALLIC GRAY

519453 Super Single, 7-7/8" & 5-1/2" bowl depths, WHITE

519454 Super Single, 7-7/8" & 5-1/2" bowl depths, BISCUIT

519455 Super Single, 7-7/8" & 5-1/2" bowl depths, BISCOTTI

519457 Super Single, 7-7/8" & 5-1/2" bowl depths, CAFE BROWN

### FEATURES

- Raised ledge for placement of colander to rinse fruits, vegetables and utensils
- Functional drain grooves remove excess water into main sink
- Required outside cabinet: 33"
- 80% solid granite
- Heat resistant up to 536°F
- Unsurpassed cleanability backed by industry leading 7 patents!
- Resistant to scratches, stains and all household acids and alkali solutions
- Template provided with approximate 1/8" reveal
- Drain NOT included
- Undermount clips provided
- Undermount with ultimate utility
- Integrated second level for drying, depositing, and draining

### INCLUDED ACCESSORY

Stainless Steel Mesh Colander (sits on functional ledge)

### CODE/STANDARDS COMPLIANCE

ANSI Z124.6-97

IAPMO/UPC listed

### WARRANTY

BLANCO'S SILGRANIT II Series sinks feature a LIMITED LIFETIME WARRANTY to be free of all manufacturing defects under normal use. See our complete warranty for details.

While BLANCO endeavors to provide accurate information, all dimensions are nominal, cannot be guaranteed, and are subject to change or cancellation. BLANCO assumes no responsibility for use of superseded or voided specifications.

### JOB INFORMATION

Job Name: \_\_\_\_\_

Contact: \_\_\_\_\_

Date Specified: \_\_\_\_\_

Specifier: \_\_\_\_\_

Contractor: \_\_\_\_\_

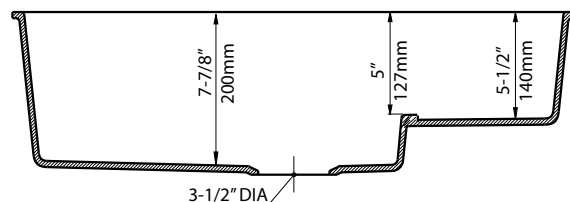
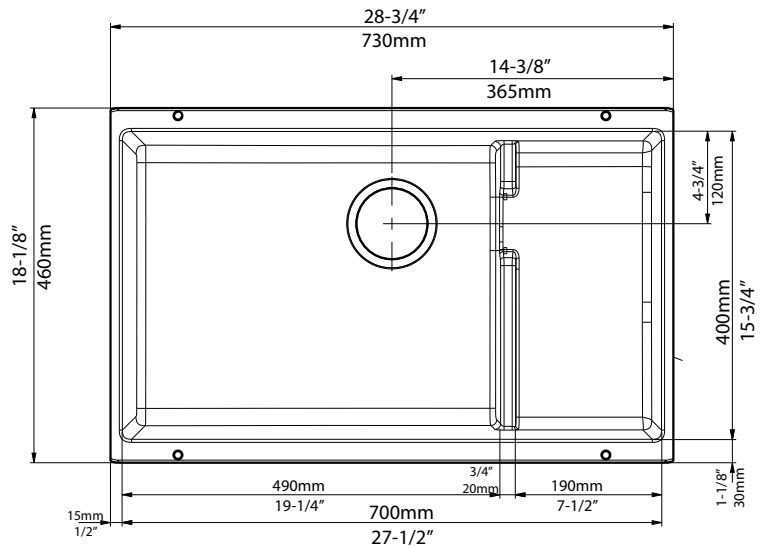


### NOMINAL DIMENSIONS

Model 519451 shown

OVERALL	CUT OUT SIZE	BOWL DEPTHS		DRAIN
		MAIN	PLATFORM	
28-3/4" x 18"	Template provided with approximate 1/8" reveal	7-7/8"	5-1/2"	3-1/2"

DXF cutout templates available on our website.



**BLANCO AMERICA**

800.451.5782

www.blancoamerica.com

© 2013 BLANCO AMERICA

7/13

SPEC-003