

### FEATURED MODEL

441464 1-1/2 Bowl, 9-1/2" & 8" bowl depths, CINDER

### ADDITIONAL MODELS

- 440197 1-1/2 Bowl, 9-1/2" & 8" bowl depths, CAFE BROWN
- 440198 1-1/2 Bowl, 9-1/2" & 8" bowl depths, METALLIC GRAY
- 440199 1-1/2 Bowl, 9-1/2" & 8" bowl depths, ANTHRACITE
- 440200 1-1/2 Bowl, 9-1/2" & 8" bowl depths, WHITE
- 440201 1-1/2 Bowl, 9-1/2" & 8" bowl depths, BISCUIT
- 441221 1-1/2 Bowl, 9-1/2" & 8" bowl depths, BISCOTTI
- 441282 1-1/2 Bowl, 9-1/2" & 8" bowl depths, TRUFFLE

**Versatile dual deck design can be installed as a drop-in or undermount.**

### FEATURES

- Required outside cabinet: 33" (drop-in), 36" (undermount)
- 80% solid granite
- Heat resistant up to 536°F
- Unsurpassed cleanability backed by industry leading 7 patents!
- Resistant to scratches, stains and all household acids and alkali solutions
- Template provided
- Undermount clips NOT included
- 1/2" deck thickness
- Limited lifetime warranty

### OPTIONAL ACCESSORIES

- Sink Grid: 221011
- Cutting Board: 440227 (drop-in only)

### CODE/STANDARDS COMPLIANCE

ANSI Z124.6-97  
 IAPMO/UPC listed

### WARRANTY

BLANCO'S SILGRANIT II Series sinks feature a LIMITED LIFETIME WARRANTY to be free of all manufacturing defects under normal use. See our complete warranty for details.

While BLANCO endeavors to provide accurate information, all dimensions are nominal, cannot be guaranteed, and are subject to change or cancellation. BLANCO assumes no responsibility for use of superseded or voided specifications.

### JOB INFORMATION

Job Name: \_\_\_\_\_

Contact: \_\_\_\_\_

Date Specified: \_\_\_\_\_

Specifier: \_\_\_\_\_

Contractor: \_\_\_\_\_

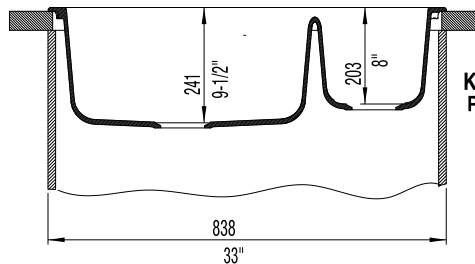
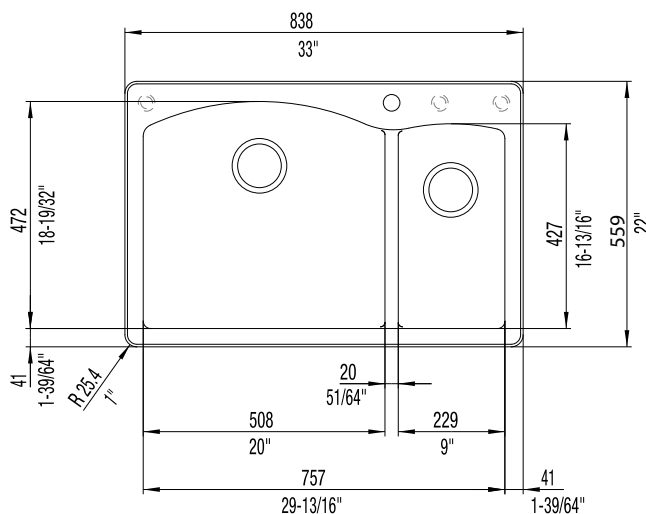


Model 440199 shown

### NOMINAL DIMENSIONS

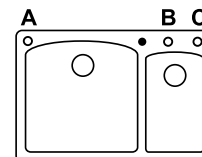
| OVERALL   | CUTOUT SIZE       | BOWL DEPTH |       | DRAIN DIAMETER |
|-----------|-------------------|------------|-------|----------------|
|           |                   | LEFT       | RIGHT |                |
| 33" x 22" | 32-1/4" x 21-1/4" | 9-1/2"     | 8"    | 3-1/2"         |

DXF cutout templates (Undermount and Drop-In versions) available on our website



### KNOCKOUT HOLE LOCATIONS

Pre-drilled for single-hole faucet.



Note: Distance between B & C holes is approx. 5" on center, because of clip location.