

**FEATURED MODEL**

441470 Equal Double, 9-1/2" bowl depths, CINDER

**ADDITIONAL MODELS**

- 440182 Equal Double, 9-1/2" bowl depths, CAFE BROWN
- 440183 Equal Double, 9-1/2" bowl depths, METALLIC GRAY
- 440184 Equal Double, 9-1/2" bowl depths, ANTHRACITE
- 440185 Equal Double, 9-1/2" bowl depths, WHITE
- 440186 Equal Double, 9-1/2" bowl depths, BISCUIT
- 441223 Equal Double, 9-1/2" bowl depths, BISCOTTI
- 441286 Equal Double, 9-1/2" bowl depths, TRUFFLE

**FEATURES**

- Required outside cabinet: 36"
- 80% solid granite
- Heat resistant up to 536°F
- Unsurpassed cleanability backed by industry leading 7 patents!
- Resistant to scratches, stains and all household acids and alkali solutions
- Template provided with approximate 1/8" reveal
- Undermount clips included
- Limited lifetime warranty

**OPTIONAL ACCESSORIES**

Sink Grids: 221008 (left), 221009 (right)

**CODE/STANDARDS COMPLIANCE**

ANSI Z124.6-97  
 IAPMO/UPC listed

**WARRANTY**

BLANCO'S SILGRANIT II Series sinks feature a LIMITED LIFETIME WARRANTY to be free of all manufacturing defects under normal use. See our complete warranty for details.

While BLANCO endeavors to provide accurate information, all dimensions are nominal, cannot be guaranteed, and are subject to change or cancellation. BLANCO assumes no responsibility for use of superseded or voided specifications.

**JOB INFORMATION**

Job Name: \_\_\_\_\_

Contact: \_\_\_\_\_

Date Specified: \_\_\_\_\_

Specifier: \_\_\_\_\_

Contractor: \_\_\_\_\_

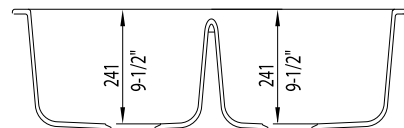
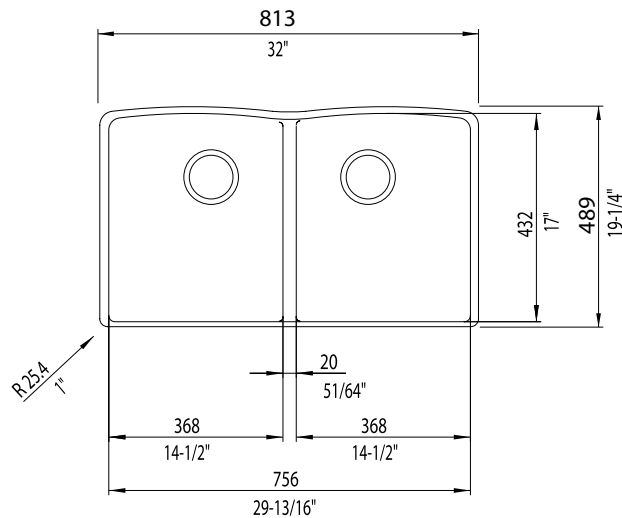


Model 440182 shown

**NOMINAL DIMENSIONS**

OVERALL	CUTOUT SIZE	BOWL DEPTH	DRAIN DIAMETER
		LEFT	RIGHT
32" x 19-1/4"	Template provided with approximate 1/8" reveal	9-1/2"	9-1/2"
		3-1/2"	

DXF cutout templates available on our website.



**BLANCO AMERICA**

800.451.5782  
 www.blancoamerica.com

© 2013 BLANCO AMERICA  
 6/13

SPEC-003