

FEATURED MODEL

441475 Single, 9" bowl depth, CINDER

ADDITIONAL MODELS

440078 Single, 9" bowl depth, CAFE BROWN

440079 Single, 9" bowl depth, ANTHRACITE

440080 Single, 9" bowl depth, BISCUIT

440081 Single, 9" bowl depth, WHITE

440082 Single, 9" bowl depth, METALLIC GRAY

441224 Single, 9" bowl depth, BISCOTTI

441288 Single, 9" bowl depth, TRUFFLE

FEATURES

- Required outside cabinet: 21"
- 80% solid granite
- Heat resistant up to 536°F
- Unsurpassed cleanability backed by industry leading 7 patents!
- Resistant to scratches, stains and all household acids and alkali solutions
- Template provided with approximate 1/8" reveal
- Undermount clips included
- Limited lifetime warranty

OPTIONAL ACCESSORIES

Sink Grid: 222466

Colander: 514015

CODE/STANDARDS COMPLIANCE

ANSI Z124.6-97

IAPMO/UPC listed

WARRANTY

BLANCO'S SILGRANIT II Series sinks feature a LIMITED LIFETIME WARRANTY to be free of all manufacturing defects under normal use. See our complete warranty for details.

While BLANCO endeavors to provide accurate information, all dimensions are nominal, cannot be guaranteed, and are subject to change or cancellation. BLANCO assumes no responsibility for use of superseded or voided specifications.

JOB INFORMATION

Job Name: _____

Contact: _____

Date Specified: _____

Specifier: _____

Contractor: _____

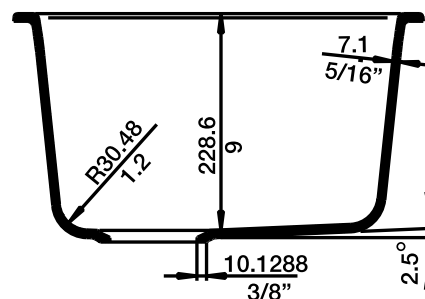
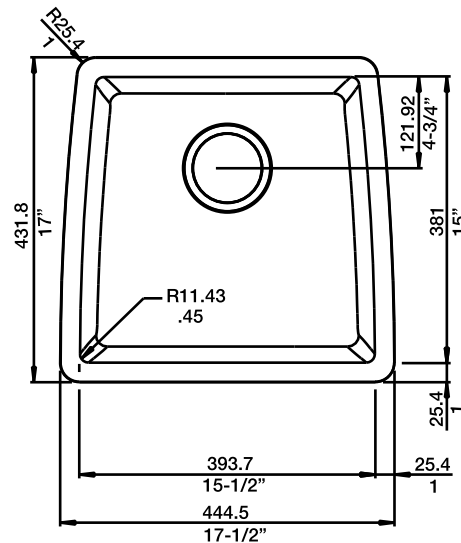


NOMINAL DIMENSIONS

Model 440078 shown

OVERALL	CUT OUT SIZE	BOWL DEPTH	DRAIN
17-1/2" x 17"	Template provided with approximate 1/8" reveal	9"	3-1/2"

DXF cutout templates available on our website.



BLANCO AMERICA

800.451.5782

www.blancoamerica.com

© 2013 BLANCO AMERICA

6/13

SPEC-003