

**FEATURED MODEL**

441646 SONOMA Pull Down 2.2 gpm CHROME

**ADDITIONAL MODELS**

- 441647 SONOMA Pull Down 2.2 gpm STAINLESS FINISH
- 442063 SONOMA Pull Down 2.2 gpm ANTHRACITE & STAINLESS MIX
- 442064 SONOMA Pull Down 2.2 gpm CAFE BROWN & STAINLESS MIX
- 442065 SONOMA Pull Down 2.2 gpm CINDER & STAINLESS MIX
- 442066 SONOMA Pull Down 2.2 gpm TRUFFLE & STAINLESS MIX
- 442067 SONOMA Pull Down 2.2 gpm BISCOTTI & STAINLESS MIX
- 442068 SONOMA Pull Down 2.2 gpm WHITE & STAINLESS MIX
- 442069 SONOMA Pull Down 2.2 gpm BISCUIT & STAINLESS MIX
- 442070 SONOMA Pull Down 2.2 gpm METALLIC GRAY & STAINLESS

**FEATURES**

- Elegant design works in many design environments
- Powerful button activated dual spray
- 180 degree spout swivel
- Powerful button activated dual spray
- The streamlined design is also easier to keep clean
- 20% water saving model available
- Dual spray feature on hand spray.
- Easy to clean rubber nubbins on spray head make it easy to clean calcium and lime deposits with your finger.
- Solid brass construction
- Ceramic disc cartridge
- 2.2 GPM Rate
- Installation in a 1-3/8" hole
- Limited Lifetime Warranty
- ADA compliant

**OPTIONAL ACCESSORIES**

Sonoma Soap Dispenser	441757 (Chrome)
	441758 (Stainless)

**CODE/STANDARDS COMPLIANCE**

ASME A112.18.1-2005  
 IAPMO Listed  
 Meets AB1953 low lead requirements  
 Meets ADA requirements  
 CMR 248 - MAS

**WARRANTY**

Blanco America's faucets feature a LIMITED LIFETIME WARRANTY to be free of all manufacturing defects under normal use. See our complete warranty for details. While Blanco America endeavors to provide accurate information, all dimensions are nominal, cannot be guaranteed, and are subject to change or cancellation. Blanco America assumes no responsibility for use of superseded or voided specifications.

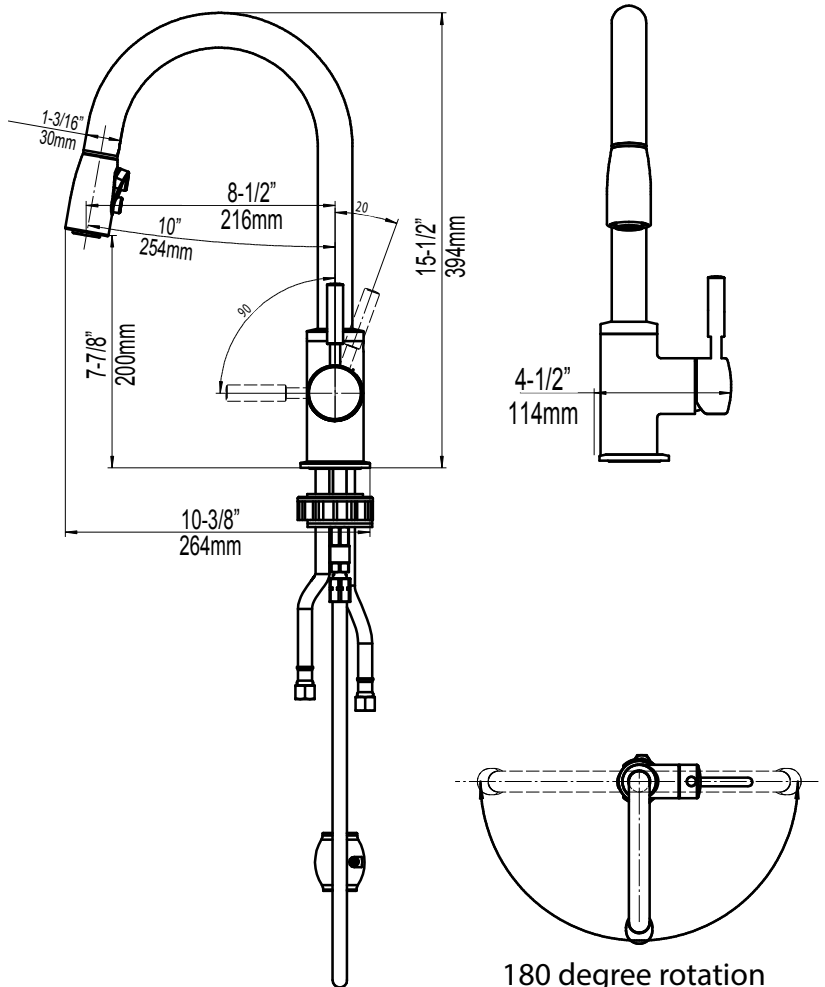
**JOB INFORMATION**

Job Name: \_\_\_\_\_  
 Contact: \_\_\_\_\_  
 Date Specified: \_\_\_\_\_  
 Specifier: \_\_\_\_\_  
 Contractor: \_\_\_\_\_

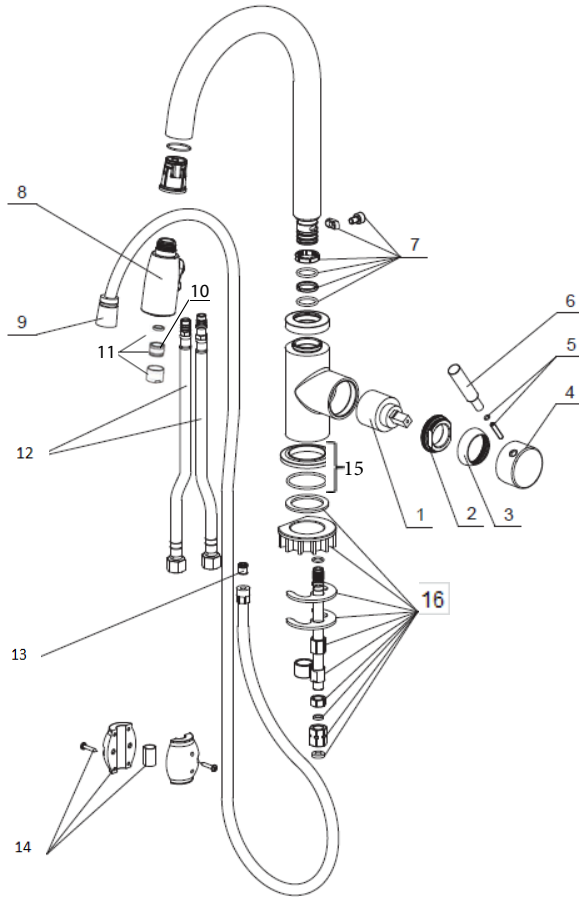
<b>NOMINAL DIMENSIONS</b>
REACH: 8-1/2"
SPOUT HEIGHT: 7-7/8"
FAUCET HEIGHT: 15-1/2"



Model Shown: 442063



BLANCO  
 800.451.5782  
 www.blancoamerica.com



## REPAIR PART GUIDE

Num.	Description	Part #
1	Cartridge Lock Nut	441670
2	Cartridge Cap Chrome	441671
3	Cartridge Cap Stainless	441672
4	Handle Chrome	441673
4	Handle Stainless	441674
5	Handle Screw	441675
6	Handle Rod Chrome	441676
6	Handle Rod Stainless	441677
7	Set of Rings and Screw	441678
8	Handspray Chrome 2.2	441679
8	Handspray Stainless 2.2	441680
9	Spray Hose	441683
10	Aerator	442083
11	Aerator Kit	442084
12	Supply Lines	441684
13	Check Valve	441555
14	Weight	441556
15	Base Ring - Chrome	442087
15	Base Ring - Stainless	442088
16	Mounting Kit	441685

### Need to Change a Faucet Cartridge?



Scan this QR code  
 to see our how-to video