

FEATURED MODEL

442056 SONOMA Pull Down 1.5 gpm CAFE BROWN & STAINLESS MIX

ADDITIONAL MODELS

441761 SONOMA Pull Down 1.5 gpm CHROME

441762 SONOMA Pull Down 1.5 gpm STAINLESS FINISH

442055 SONOMA Pull Down 1.5 gpm ANTHRACITE & STAINLESS MIX

442057 SONOMA Pull Down 1.5 gpm CINDER & STAINLESS MIX

442058 SONOMA Pull Down 1.5 gpm TRUFFLE & STAINLESS MIX

442059 SONOMA Pull Down 1.5 gpm BISCOTTI & STAINLESS MIX

442061 SONOMA Pull Down 1.5 gpm WHITE & STAINLESS MIX

442060 SONOMA Pull Down 1.5 gpm BISCUIT & STAINLESS MIX

442062 SONOMA Pull Down 1.5 gpm METALLIC GRAY & STAINLESS

FEATURES

- Elegant design works in many design environments
- Powerful button activated dual spray
- 180 degree spout swivel
- Powerful button activated dual spray
- The streamlined design is also easier to keep clean
- 20% water saving model available
- Dual spray feature on hand spray.
- Easy to clean rubber nubbins on spray head make it easy to clean calcium and lime deposits with your finger.
- Solid brass construction
- Ceramic disc cartridge
- 1.5 GPM Rate
- Installation in a 1-3/8" hole
- Limited Lifetime Warranty
- ADA compliant

OPTIONAL ACCESSORIES

Sonoma Soap Dispenser 441757 (Chrome)

441758 (Stainless)

CODE/STANDARDS COMPLIANCE

ASME A112.18.1-2005

IAPMO Listed

Meets AB1953 low lead requirements

Meets ADA requirements

CEC Listed - California

WARRANTY

Blanco America's faucets feature a LIMITED LIFETIME WARRANTY to be free of all manufacturing defects under normal use. See our complete warranty for details. While Blanco America endeavors to provide accurate information, all dimensions are nominal, cannot be guaranteed, and are subject to change or cancellation. Blanco America assumes no responsibility for use of superseded or voided specifications.

JOB INFORMATION

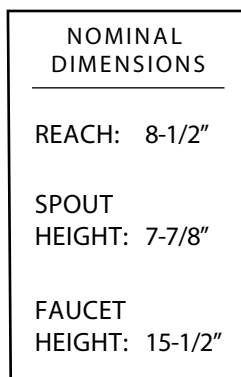
Job Name: _____

Contact: _____

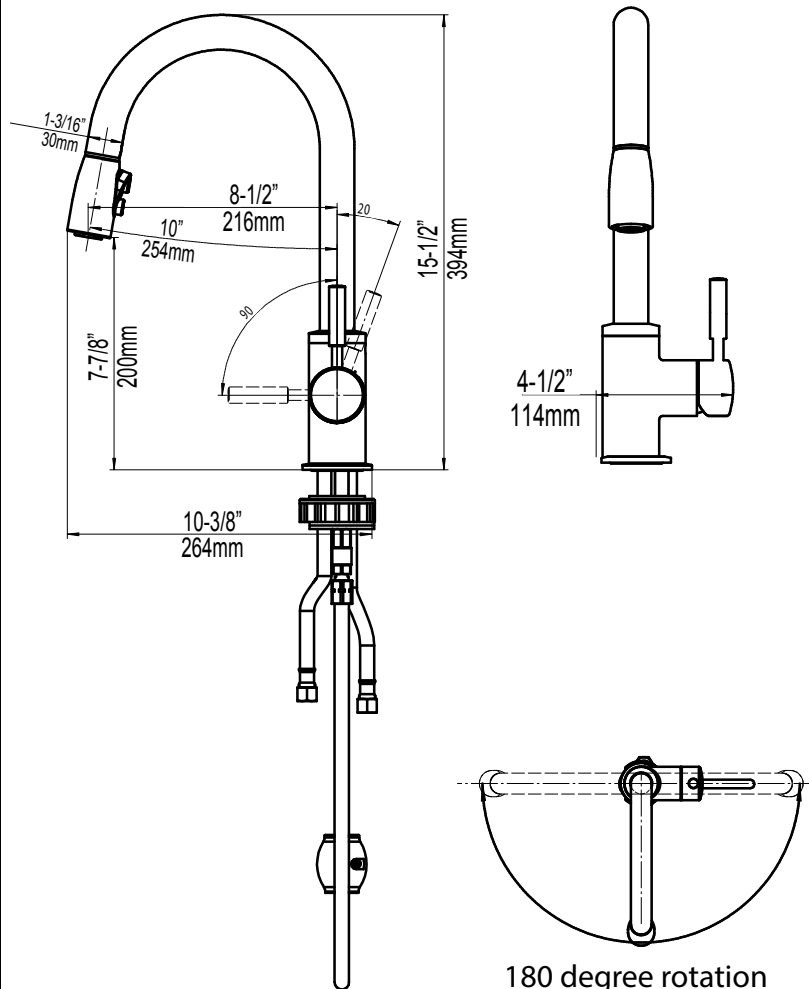
Date Specified: _____

Specifier: _____

Contractor: _____



Model Shown: 442055

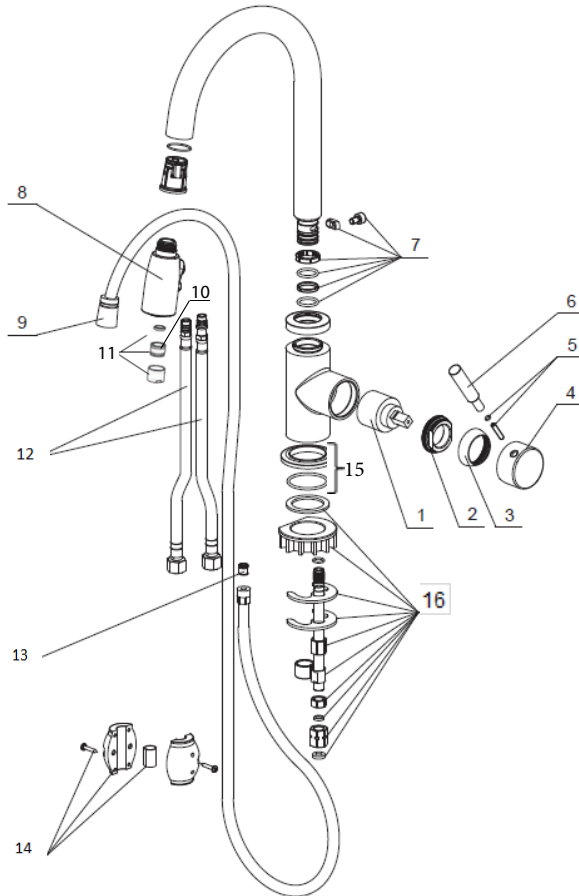


BLANCO
800.451.5782
www.blancoamerica.com

© 2016 BLANCO AMERICA

03/17

SPEC-002



REPAIR PART GUIDE

Num.	Description	Part #
1	Cartridge Lock Nut	441670
2	Cartridge Cap Chrome	441671
3	Cartridge Cap Stainless	441672
4	Handle Chrome	441673
4	Handle Stainless	441674
5	Handle Screw	441675
6	Handle Rod Chrome	441676
6	Handle Rod Stainless	441677
7	Set of Rings and Screw	441678
8	Handspray Chrome 1.5	441952
8	Handspray Stainless 1.5	441953
9	Spray Hose	441683
10	Aerator	442083
11	Aerator Kit	442084
12	Supply Lines	441684
13	Check Valve	441555
14	Weight	441556
15	Base Ring - Chrome	442087
15	Base Ring - Stainless	442088
16	Mounting Kit	441685

Need to Change a Faucet Cartridge?



Scan this QR code
 to see our how-to video