

**FEATURED MODEL**

442062 SONOMA Pull Down 1.5 gpm METALLIC GRAY & STAINLESS

**ADDITIONAL MODELS**

- 441761 SONOMA Pull Down 1.5 gpm CHROME
- 441762 SONOMA Pull Down 1.5 gpm STAINLESS FINISH
- 442055 SONOMA Pull Down 1.5 gpm ANTHRACITE & STAINLESS MIX
- 442056 SONOMA Pull Down 1.5 gpm CAFE BROWN & STAINLESS MIX
- 442057 SONOMA Pull Down 1.5 gpm CINDER & STAINLESS MIX
- 442058 SONOMA Pull Down 1.5 gpm TRUFFLE & STAINLESS MIX
- 442060 SONOMA Pull Down 1.5 gpm BISCUIT & STAINLESS MIX
- 442059 SONOMA Pull Down 1.5 gpm BISCOTTI & STAINLESS MIX
- 442061 SONOMA Pull Down 1.5 gpm WHITE & STAINLESS MIX

**FEATURES**

- Elegant design works in many design environments
- Powerful button activated dual spray
- 180 degree spout swivel
- Powerful button activated dual spray
- The streamlined design is also easier to keep clean
- 20% water saving model available
- Dual spray feature on hand spray.
- Easy to clean rubber nubbins on spray head make it easy to clean calcium and lime deposits with your finger.
- Solid brass construction
- Ceramic disc cartridge
- 1.5 GPM Rate
- Installation in a 1-3/8" hole
- Limited Lifetime Warranty
- ADA compliant

**OPTIONAL ACCESSORIES**

- Sonoma Soap Dispenser 441757 (Chrome)
- 441758 (Stainless)

**CODE/STANDARDS COMPLIANCE**

- ASME A112.18.1-2005
- IAPMO Listed
- Meets AB1953 low lead requirements
- Meets ADA requirements
- CEC Listed - California

**WARRANTY**

Blanco America's faucets feature a LIMITED LIFETIME WARRANTY to be free of all manufacturing defects under normal use. See our complete warranty for details. While Blanco America endeavors to provide accurate information, all dimensions are nominal, cannot be guaranteed, and are subject to change or cancellation. Blanco America assumes no responsibility for use of superseded or voided specifications.

**JOB INFORMATION**

Job Name: \_\_\_\_\_

Contact: \_\_\_\_\_

Date Specified: \_\_\_\_\_

Specifier: \_\_\_\_\_

Contractor: \_\_\_\_\_

**NOMINAL DIMENSIONS**

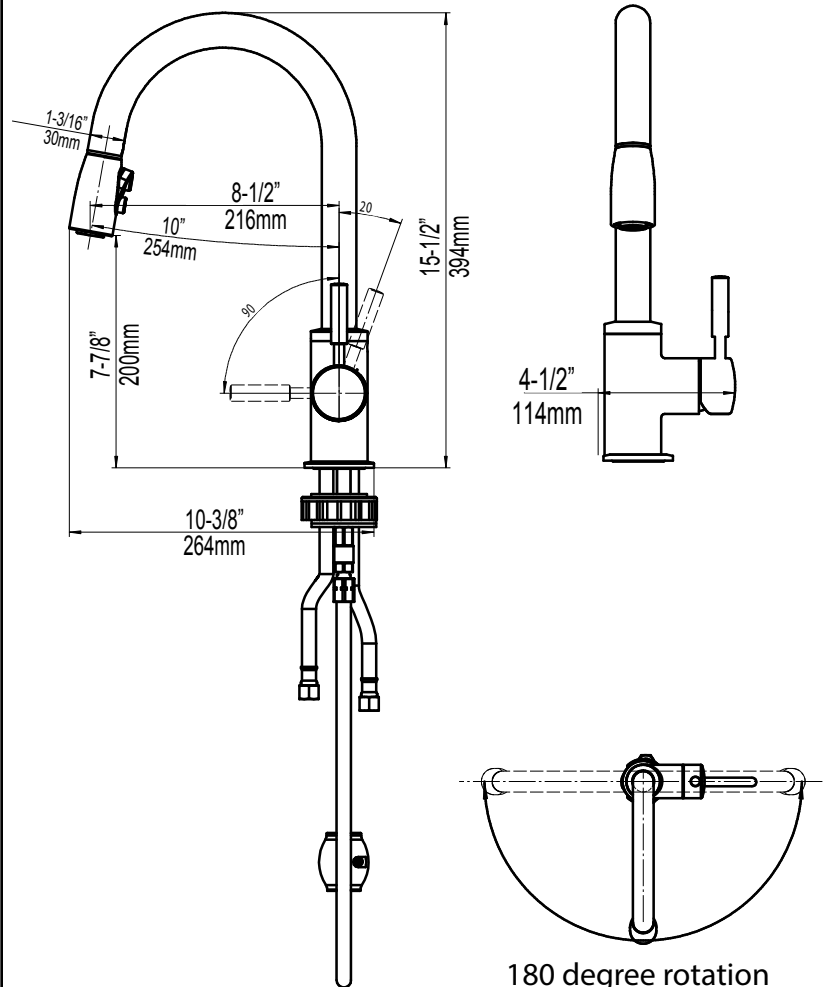
REACH: 8-1/2"

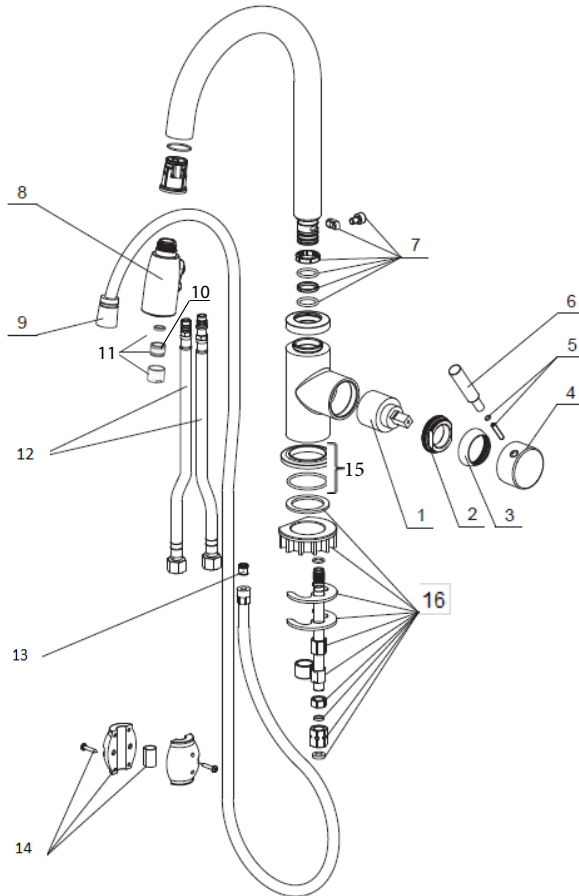
SPOUT HEIGHT: 7-7/8"

FAUCET HEIGHT: 15-1/2"



Model Shown: 442055





## REPAIR PART GUIDE

| Num. | Description             | Part #  |
|------|-------------------------|---------|
| 1    | 5SfdVYW                 | ##*) ** |
| 2    | Cartridge Lock Nut      | 441670  |
| 3    | Cartridge Cap Chrome    | 441671  |
| 3    | Cartridge Cap Stainless | 441672  |
| 4    | Handle Chrome           | 441673  |
| 4    | Handle Stainless        | 441674  |
| 5    | Handle Screw            | 441675  |
| 6    | Handle Rod Chrome       | 441676  |
| 6    | Handle Rod Stainless    | 441677  |
| 7    | Set of Rings and Screw  | 441678  |
| 8    | Handspray Chrome 1.5    | 441952  |
| 8    | Handspray Stainless 1.5 | 441953  |
| 9    | Spray Hose              | 441683  |
| 10   | Aerator                 | 442083  |
| 11   | Aerator Kit             | 442084  |
| 12   | Supply Lines            | 441684  |
| 13   | Check Valve             | 441555  |
| 14   | Weight                  | 441556  |
| 15   | Base Ring - Chrome      | 442087  |
| 15   | Base Ring - Stainless   | 442088  |
| 16   | Mounting Kit            | 441685  |

### Need to Change a Faucet Cartridge?



Scan this QR code  
 to see our how-to video