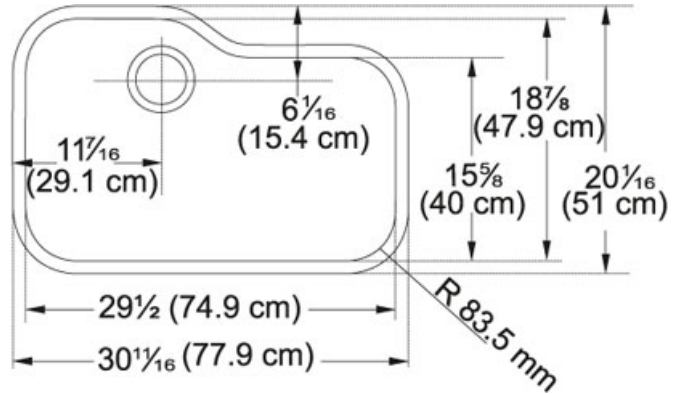


Orca ORX110 Stainless Steel | 122.0035.127

FAMILY : Sinks | SERIE : Orca | MODEL : ORX110 | FINISH : Stainless Steel | INSTALLATION TYPE : Undermount



TECHNICAL DATA

Franke Integral Ledge	BUILT-IN
Minimum Cabinet Size	36"
Drain Opening	3 1/2"
Length overall	30 11/16"
Width overall	20 1/16"
Length of large bowl	29 1/2"
Width of large bowl	18 7/8"
Depth of large bowl	9 1/16"
Cutout Length	750 mm
Cutout Width	18 3/4"
Type of Material	18 Gauge Stainless Steel
Cut-Out Template	Yes
Installation Clips	Yes

Orca ORX110 Stainless Steel | 122.0035.127

FAMILY : Sinks | SERIE : Orca | MODEL : ORX110 | FINISH : Stainless Steel | INSTALLATION TYPE : Undermount

RELATED PARTS



119.0068.283



115.0066.591



119.0066.616



133.0204.098



134.0297.202



120.0296.741