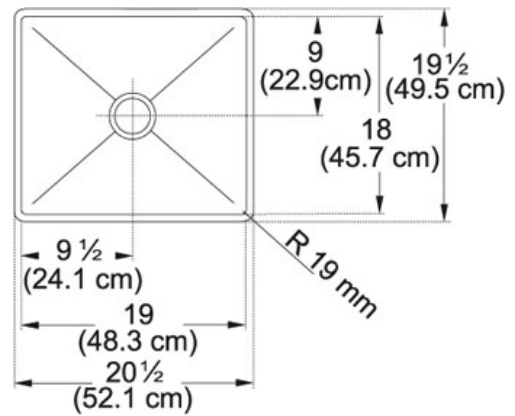


# SPECIFICATION SHEET

PRODUCT FAMILY: Sinks FINISH: Stainless Steel SERIES: PROFESSIONAL SERIES MODEL: PSX1101912



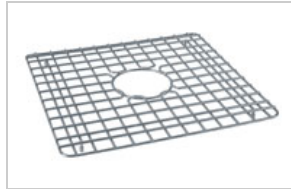
## Product Information

<b>FUN#</b>	122.0170.028
<b>US Part Number</b>	PSX1101912
<b>Minimum Cabinet Size</b>	27"
<b>Drain Opening</b>	3 1/2"
<b>Outer Dimensions</b>	20 1/2"x19 11/16"
<b>Bowl Size</b>	18 15/16"x18 1/8"x11 7/16"
<b>Number of Bowls</b>	1
<b>Cut-Out Template</b>	Yes
<b>Type of Material</b>	16-GA-STAINLESS-STEEL

**Accessories**



112.0039.150



112.0066.260



112.0066.292



112.0079.835

**Suggested Products**



115.0190.774



119.0066.616



119.0068.283



120.0296.741



133.0171.120



134.0297.202