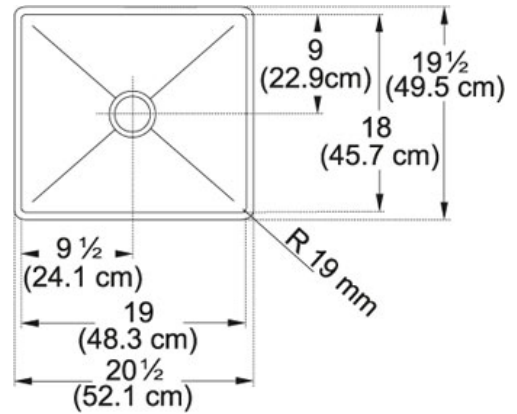


SPECIFICATION SHEET

PRODUCT FAMILY: Sinks FINISH: Stainless Steel SERIES: PROFESSIONAL SERIES MODEL: PSX110199



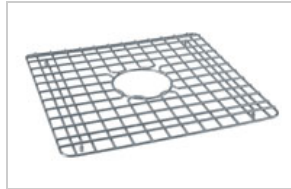
Product Information

| | |
|-----------------------------|---------------------------|
| FUN# | 122.0170.025 |
| US Part Number | PSX110199 |
| Minimum Cabinet Size | 27" |
| Drain Opening | 3 1/2" |
| Outer Dimensions | 20 1/2"x19 11/16" |
| Bowl Size | 18 15/16"x18 1/8"x9 1/16" |
| Number of Bowls | 1 |
| Cut-Out Template | Yes |
| Type of Material | 16-GA-STAINLESS-STEEL |

Accessories



112.0039.150



112.0066.260



112.0066.292



112.0079.835

Suggested Products



115.0190.774



119.0066.616



119.0068.283



120.0296.741



133.0171.120



134.0297.202