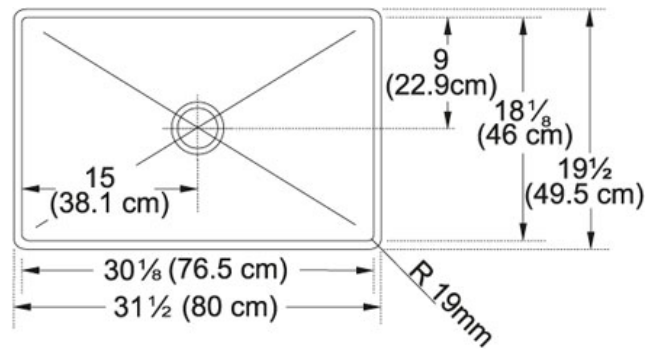


SPECIFICATION SHEET

PRODUCT FAMILY: Sinks FINISH: Stainless Steel SERIES: PROFESSIONAL SERIES MODEL: PSX110309



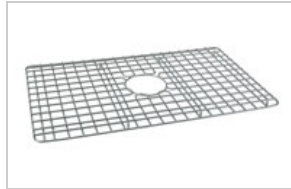
Product Information

FUN#	122.0170.030
US Part Number	PSX110309
Minimum Cabinet Size	33"
Drain Opening	3 1/2"
Outer Dimensions	31 1/2"x19 11/16"
Bowl Size	30 1/8"x18 1/8"x9 1/16"
Number of Bowls	1
Cut-Out Template	Yes
Type of Material	16-GA-STAINLESS-STEEL

Accessories



112.0039.150



112.0066.261



112.0066.291



112.0079.835

Suggested Products



115.0190.774



119.0066.616



119.0068.283



120.0296.741



133.0171.120



134.0297.202