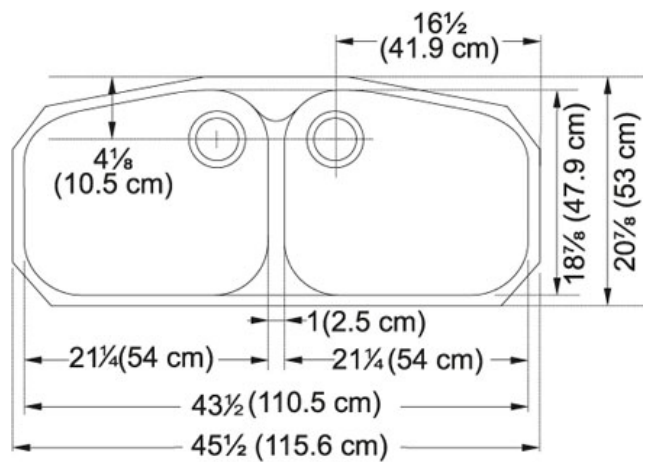


SPECIFICATION SHEET

PRODUCT FAMILY: Sinks FINISH: Stainless Steel SERIES: VISION MODEL: VNX12045



Product Information

FUN#	122.0035.109
US Part Number	VNX12045
Franke Integral Ledge	built-in
Minimum Cabinet Size	48"
Drain Opening	3 1/2"
Outer Dimensions	45 7/16"x20 7/8"
Bowl Size	21 1/4"x18 15/16"x9 1/16"
Number of Bowls	2
Cut-Out Template	Yes
Type of Material	18 ga Stainless Steel

Accessories



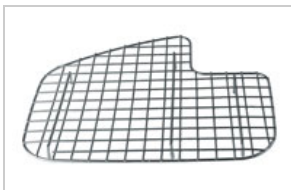
112.0039.150



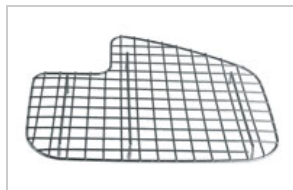
112.0048.312



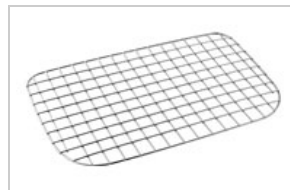
112.0048.576



112.0066.268



112.0066.269



112.0066.271



112.0083.079



112.0265.075

Suggested Products



115.0193.202



119.0066.616



119.0068.281



119.0296.756



133.0204.098



134.0297.202