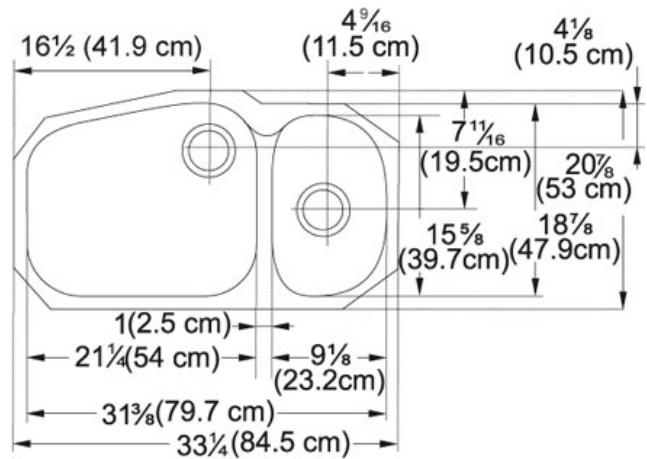


# SPECIFICATION SHEET

PRODUCT FAMILY: Sinks FINISH: Stainless Steel SERIES: VISION MODEL: VNX160



## Product Information

<b>FUN#</b>	122.0035.110
<b>US Part Number</b>	VNX160
<b>Franke Integral Ledge</b>	built-in
<b>Minimum Cabinet Size</b>	36"
<b>Drain Opening</b>	3 1/2"
<b>Outer Dimensions</b>	33 1/4"
<b>Bowl Size</b>	21 1/4"x18 15/16"x9 1/16"
<b>Small Bowl Size</b>	9 1/16"x5 15/16"
<b>Number of Bowls</b>	2
<b>Cut-Out Template</b>	Yes
<b>Type of Material</b>	18 Gauge Stainless Steel
<b>Opposite Configuration</b>	122.0035.111

### Accessories



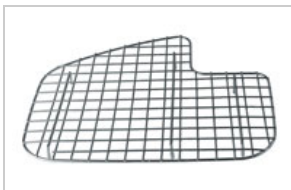
112.0039.150



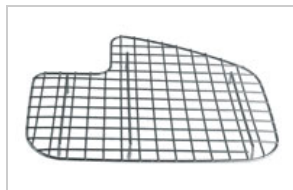
112.0048.312



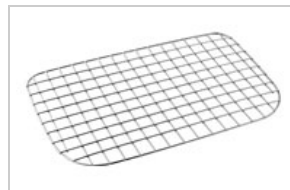
112.0048.576



112.0066.268



112.0066.269



112.0066.271



112.0083.079



112.0265.075

### Suggested Products



115.0193.202



119.0066.616



119.0296.756



133.0204.098



134.0297.202