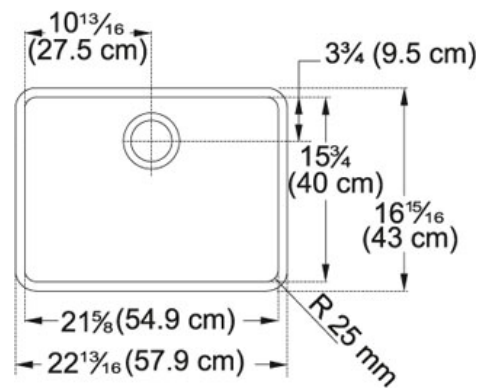


SPECIFICATION SHEET

PRODUCT FAMILY: Sinks FINISH: Stainless Steel SERIES: KUBUS MODEL: KBX11021



Product Information

FUN#	122.0035.124
US Part Number	KBX11021
Franke Integral Ledge	built-in
Minimum Cabinet Size	27"
Drain Opening	3 1/2"
Outer Dimensions	23 13/16"x16 7/8"
Bowl Size	21 5/8"x15 3/4"x9 1/16"
Number of Bowls	1
Cut-Out Template	Yes
Type of Material	18 ga Stainless Steel

Accessories



112.0014.121



112.0014.123



112.0014.124



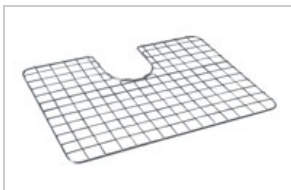
112.0030.882



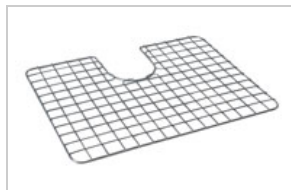
112.0039.150



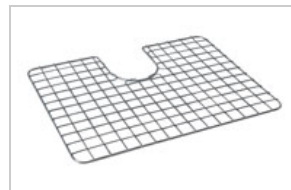
112.0048.576



112.0066.240



112.0083.067



112.0250.457



112.0265.075

Suggested Products



115.0193.202



119.0066.616



119.0080.612



120.0296.741



133.0204.098



134.0297.202