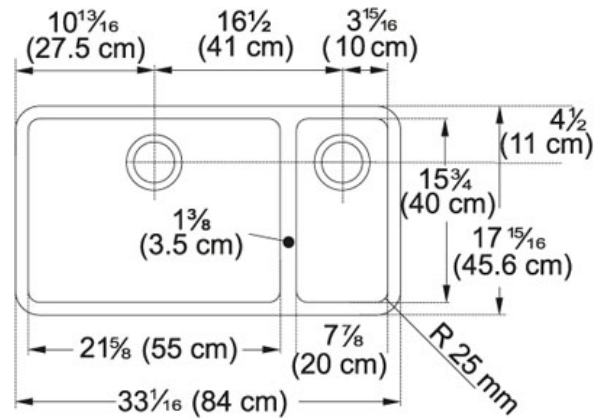


# SPECIFICATION SHEET

PRODUCT FAMILY: Sinks FINISH: Stainless Steel SERIES: KUBUS MODEL: KBX160



## Product Information

<b>FUN#</b>	122.0035.114
<b>US Part Number</b>	KBX160
<b>Franke Integral Ledge</b>	built-in
<b>Minimum Cabinet Size</b>	36"
<b>Drain Opening</b>	3 1/2"
<b>Outer Dimensions</b>	33"x18 1/8"
<b>Bowl Size</b>	21 5/8"x15 3/4"x9 1/16"
<b>Small Bowl Size</b>	7 7/8"x6 5/16"
<b>Number of Bowls</b>	2
<b>Cut-Out Template</b>	Yes
<b>Type of Material</b>	18 ga Stainless Steel

**Accessories**



112.0014.121



112.0014.123



112.0014.124



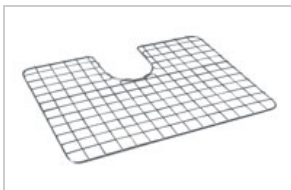
112.0030.882



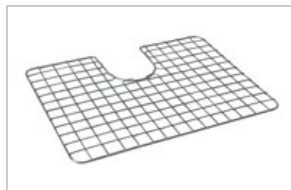
112.0039.150



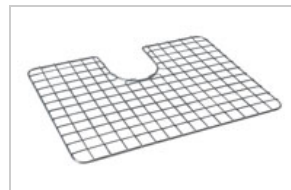
112.0048.576



112.0066.240



112.0083.067



112.0250.457



112.0265.075

**Suggested Products**



115.0193.202



119.0066.616



119.0080.612



120.0296.741



133.0204.098



134.0297.202