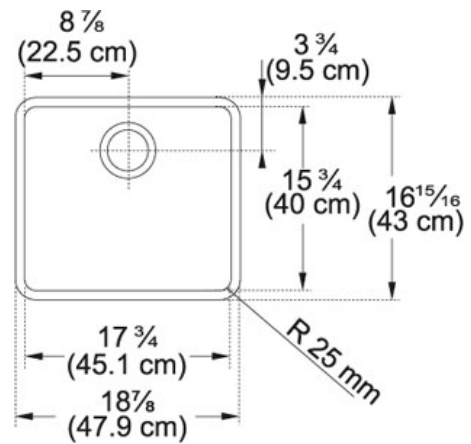


SPECIFICATION SHEET

PRODUCT FAMILY: Sinks FINISH: Stainless Steel SERIES: KUBUS MODEL: KBX110-18



Product Information

FUN#	122.0073.549
US Part Number	KBX110-18
Franke Integral Ledge	built-in
Minimum Cabinet Size	27"
Drain Opening	3 1/2"
Outer Dimensions	18 15/16"x16 7/8"
Bowl Size	17 3/4"x15 3/4"x9 1/16"
Number of Bowls	1
Cut-Out Template	Yes
Type of Material	18 ga Stainless Steel

Accessories



112.0014.121



112.0014.123



112.0014.124



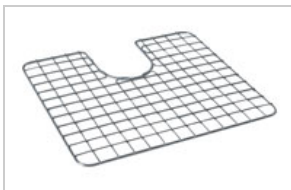
112.0030.882



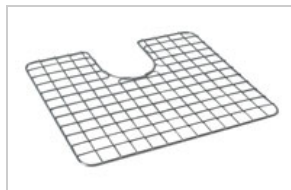
112.0039.150



112.0048.576



112.0066.238



112.0250.456



112.0265.075

Suggested Products



115.0193.202



119.0066.616



119.0080.612



120.0296.741



133.0204.098



134.0297.202