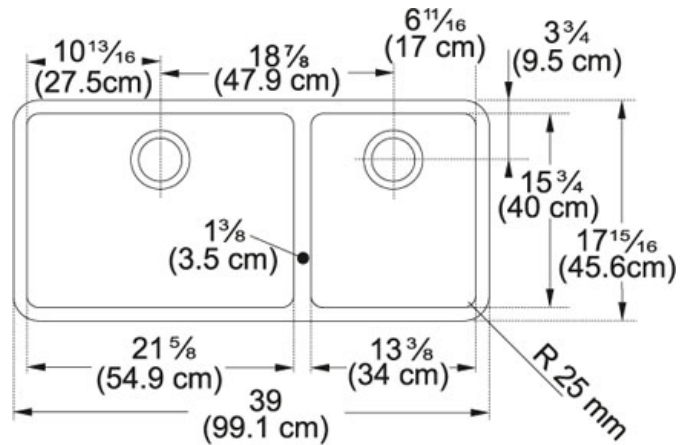


# Kubus KBX12039 Stainless Steel | 122.0073.550

FAMILY : Sinks | SERIE : Kubus | MODEL : KBX12039 | FINISH : Stainless Steel | INSTALLATION TYPE : Undermount



## TECHNICAL DATA

Franke Integral Ledge	BUILT-IN
Minimum Cabinet Size	42"
Drain Opening	3 1/2"
Length overall	39"
Width overall	17 15/16"
Length of large bowl	21 5/8"
Width of large bowl	17 15/16"
Depth of large bowl	9 1/16"
Length of small bowl	13 3/8"
Width of small bowl	17 15/16"
Depth of small bowl	7 7/8"
Number of Bowls	2
Cutout Length	556 mm
Cutout Width	425 mm
Type of Material	18 Gauge Stainless Steel
Cut-Out Template	Yes
Installation Clips	Yes

Kubus KBX12039 Stainless Steel | 122.0073.550

FAMILY : Sinks | SERIE : Kubus | MODEL : KBX12039 | FINISH : Stainless Steel | INSTALLATION TYPE : Undermount

---

**RELATED PARTS**

---



---

122.0073.406

---