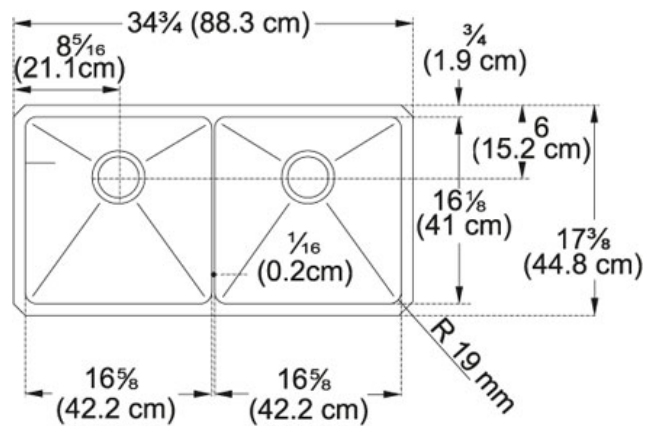


SPECIFICATION SHEET

PRODUCT FAMILY: Sinks FINISH: Stainless Steel SERIES: PROFESSIONAL SERIES MODEL: PSX120339



Product Information

| | |
|-----------------------------|-------------------------|
| FUN# | 122.0167.437 |
| US Part Number | PSX120339 |
| Minimum Cabinet Size | 39" |
| Drain Opening | 3 1/2" |
| Outer Dimensions | 35 1/16"x18 1/8" |
| Bowl Size | 16 1/8"x16 1/8"x9 1/16" |
| Number of Bowls | 2 |
| Cut-Out Template | Yes |
| Type of Material | 16-GA-STAINLESS-STEEL |

Accessories



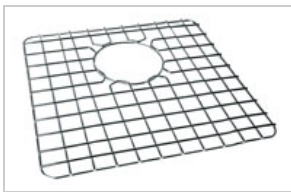
112.0039.150



112.0046.923



112.0079.835



112.0083.061

Suggested Products



115.0190.774



119.0066.616



119.0068.283



120.0296.741



133.0171.120



134.0297.202