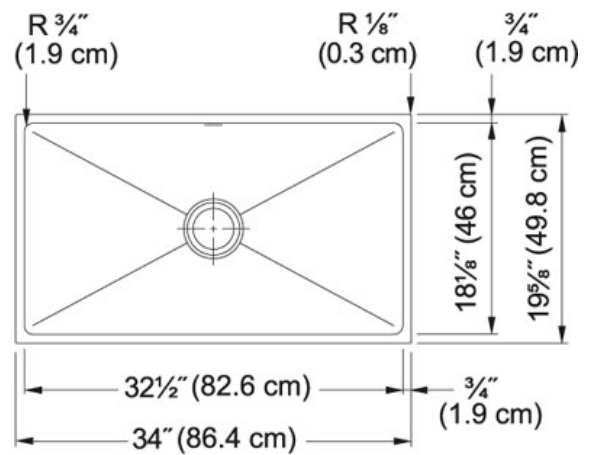


# SPECIFICATION SHEET

PRODUCT FAMILY: Sinks FINISH: Stainless Steel SERIES: PROFESSIONAL SERIES MODEL: PSX110339



## Product Information

<b>FUN#</b>	122.0191.477
<b>US Part Number</b>	PSX110339
<b>Minimum Cabinet Size</b>	36"
<b>Drain Opening</b>	3 1/2"
<b>Outer Dimensions</b>	34"x19 5/8"
<b>Bowl Size</b>	32 1/2"x18 1/8"x9 1/16"
<b>Number of Bowls</b>	1

**Accessories**



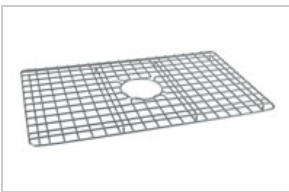
112.0039.150



112.0066.291



112.0079.835



112.0191.594

**Suggested Products**



115.0190.774



119.0066.616



119.0068.283



120.0296.741



133.0171.120



134.0297.202