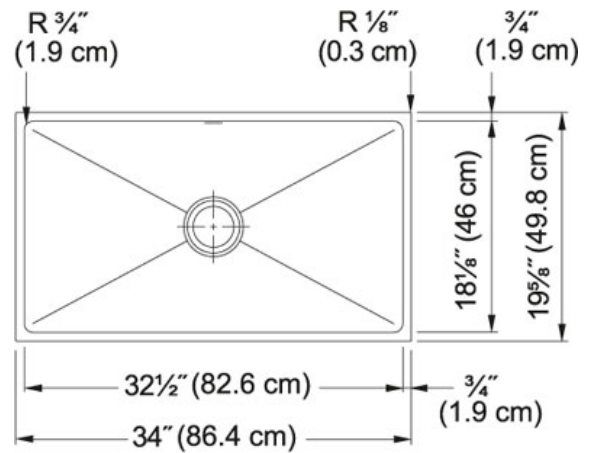


SPECIFICATION SHEET

PRODUCT FAMILY: Sinks FINISH: Stainless Steel SERIES: PROFESSIONAL SERIES MODEL: PSX1103312



Product Information

FUN#	122.0191.478
US Part Number	PSX1103312
Minimum Cabinet Size	36"
Drain Opening	3 1/2"
Outer Dimensions	34"x19 5/8"
Bowl Size	32 1/2"x18 1/8"x11 7/16"
Number of Bowls	1

Accessories



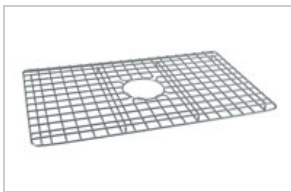
112.0039.150



112.0066.291



112.0079.835



112.0191.594

Suggested Products



115.0190.774



119.0066.616



119.0068.283



120.0296.741



133.0171.120



134.0297.202