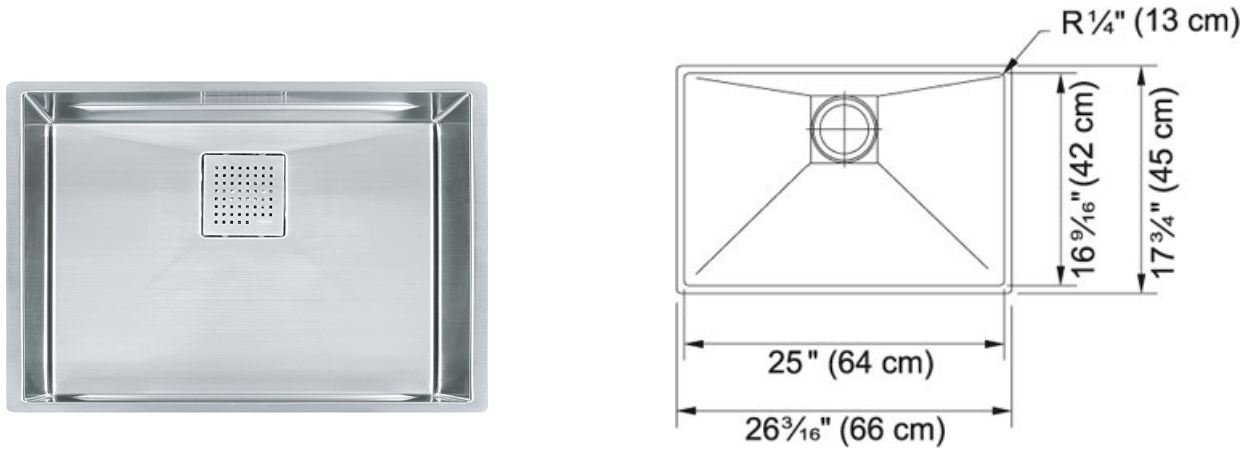


Peak PKX11025 Stainless Steel | 122.0192.590

FAMILY : Sinks | SERIE : Peak | MODEL : PKX11025 | FINISH : Stainless Steel | INSTALLATION TYPE : Undermount



TECHNICAL DATA

Franke Integral Ledge	BUILT-IN
Minimum Cabinet Size	30"
Drain Opening	3 1/2"
Length overall	26 3/16"
Width overall	17 3/4"
Length of large bowl	25"
Width of large bowl	16 1/2"
Depth of large bowl	9 5/8"
Number of Bowls	1
Type of Material	16 Gauge Stainless Steel
Cut-Out Template	Yes
Installation Clips	Yes

Peak PKX11025 Stainless Steel | 122.0192.590

FAMILY : Sinks | SERIE : Peak | MODEL : PKX11025 | FINISH : Stainless Steel | INSTALLATION TYPE : Undermount

RELATED PARTS



119.0066.616



133.0171.120



119.0197.313



115.0251.992



134.0297.202



120.0296.741