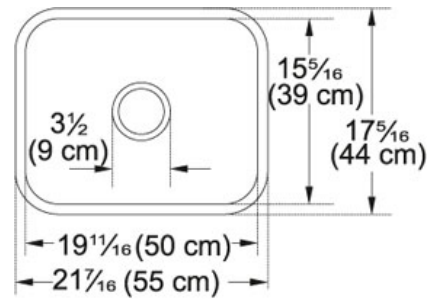


SPECIFICATION SHEET

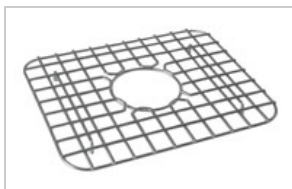
PRODUCT FAMILY: Sinks FINISH: Fireclay Matte White SERIES: CISTERNA MODEL: CCK110-19



Product Information

FUN#	126.0256.641
US Part Number	CCK110-19MW
Minimum Cabinet Size	27"
Drain Opening	3 1/2"
Outer Dimensions	21 5/8"x17 3/16"
Bowl Size	19 11/16"x15 3/8"x7 7/8"
Number of Bowls	1
Cut-Out Size	440 mmx545 mm
*	Dimensions may vary by 2% (plus or minus) due to material attributes and firing process **Installation of this fireclay product requires custom cabinetry. Franke recommends that an experienced cabinet maker build the new cabinet, or is responsible for modifications to existing cabinets for this product.
Type of Material	Fireclay

Accessories



112.0066.223

Suggested Products



112.0048.590



115.0195.026