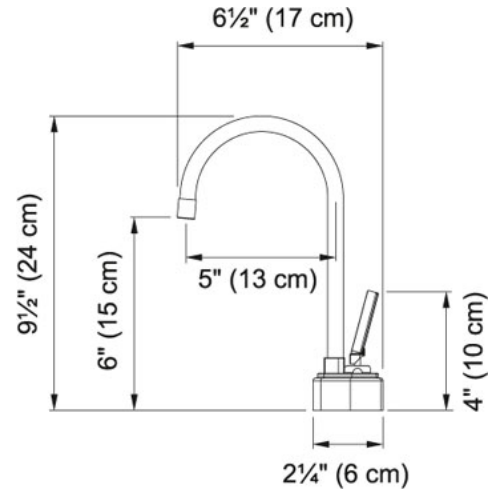


Hot and Filtered Cold Water Dispenser - LB8200 LB8200

Polished Chrome | 120.0293.717

FAMILY : Point of Use and Filtration | SERIE : Hot and Filtered Cold Water Dispenser - LB8200 | MODEL : LB8200 | FINISH : Polished Chrome | INSTALLATION TYPE : Point of Use and Filtration | STYLE : Modern



TECHNICAL DATA

| | |
|--------------|-------------------------------------|
| Version | Hot & Filtered Cold Water Dispenser |
| Where to buy | Showroom |

Hot and Filtered Cold Water Dispenser - LB8200 LB8200
Polished Chrome | 120.0293.717

FAMILY : Point of Use and Filtration | SERIE : Hot and Filtered Cold Water Dispenser - LB8200 | MODEL : LB8200 | FINISH : Polished Chrome | INSTALLATION TYPE : Point of Use and Filtration | STYLE : Modern

RELATED PARTS



119.0066.616



133.0171.120



133.0204.098
