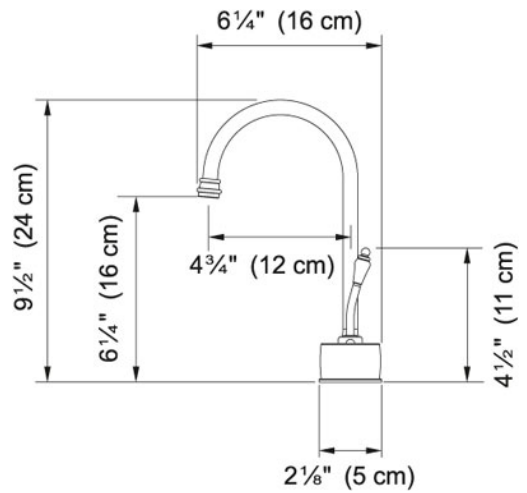


Hot Water Dispenser - LB6100 LB6170 Polished Nickel |

119.0296.720

FAMILY : Point of Use and Filtration | SERIE : Hot Water Dispenser - LB6100 | MODEL : LB6170 | FINISH : Polished Nickel |

INSTALLATION TYPE : Point of Use and Filtration | STYLE : Traditional



TECHNICAL DATA

Version	Hot Water Dispenser
Where to buy	Showroom

Hot Water Dispenser - LB6100 LB6170 Polished Nickel |
119.0296.720

FAMILY : Point of Use and Filtration | SERIE : Hot Water Dispenser - LB6100 | MODEL : LB6170 | FINISH : Polished Nickel |
INSTALLATION TYPE : Point of Use and Filtration | STYLE : Traditional

RELATED PARTS



133.0171.120

133.0204.098
