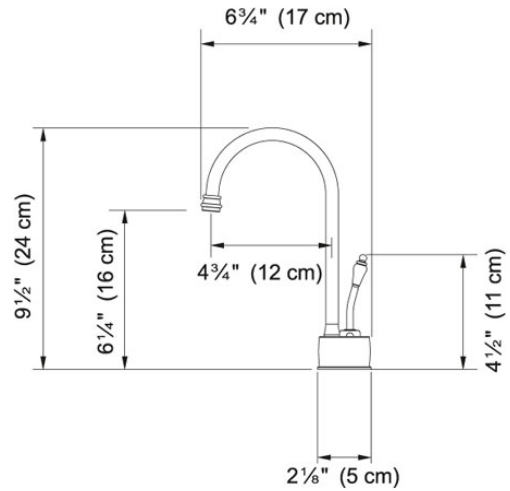


Hot and Filtered Cold Water Dispenser - LB6200 LB6270

Polished Nickel | 120.0296.724

FAMILY : Point of Use and Filtration | SERIE : Hot and Filtered Cold Water Dispenser - LB6200 | MODEL : LB6270 | FINISH : Polished Nickel | INSTALLATION TYPE : Point of Use and Filtration | STYLE : Modern



TECHNICAL DATA

Version	Hot & Filtered Cold Water Dispenser
Where to buy	Showroom

Hot and Filtered Cold Water Dispenser - LB6200 LB6270
Polished Nickel | 120.0296.724

FAMILY : Point of Use and Filtration | SERIE : Hot and Filtered Cold Water Dispenser - LB6200 | MODEL : LB6270 | FINISH : Polished Nickel | INSTALLATION TYPE : Point of Use and Filtration | STYLE : Modern

RELATED PARTS



133.0171.120

133.0204.098
