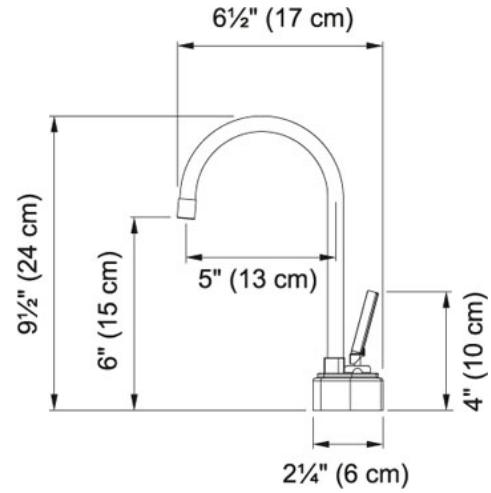


Hot and Filtered Cold Water Dispenser - LB8200 LB8200

Polished Chrome | 120.0293.717

FAMILY : Point of Use and Filtration | SERIE : Hot and Filtered Cold Water Dispenser - LB8200 | MODEL : LB8200 | FINISH : Polished Chrome | INSTALLATION TYPE : Point of Use and Filtration | STYLE : Modern



TECHNICAL DATA

Version	Hot & Filtered Cold Water Dispenser
Where to buy	Showroom

Hot and Filtered Cold Water Dispenser - LB8200 LB8200
Polished Chrome | 120.0293.717

FAMILY : Point of Use and Filtration | SERIE : Hot and Filtered Cold Water Dispenser - LB8200 | MODEL : LB8200 | FINISH : Polished Chrome | INSTALLATION TYPE : Point of Use and Filtration | STYLE : Modern

RELATED PARTS



119.0066.616



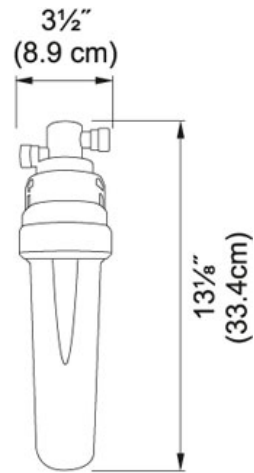
133.0171.120



133.0204.098

SPECIFICATION SHEET

PRODUCT FAMILY: Point of Use and Filtration FINISH: other SERIES: FILTRATION MODEL: FRCNSTR100



Product Information

Article Number	133.0204.098
Model Name	FRCNSTR100

SPECIFICATION SHEET

PRODUCT FAMILY: Point of Use and Filtration FINISH: other SERIES: FILTRATION MODEL: HT-200



Product Information

Article Number	119.0066.616
Model Name	HT-200
Applicable to	An optional upgrade to Franke Hot Water Dispensers

Suggested Products



133.0171.120