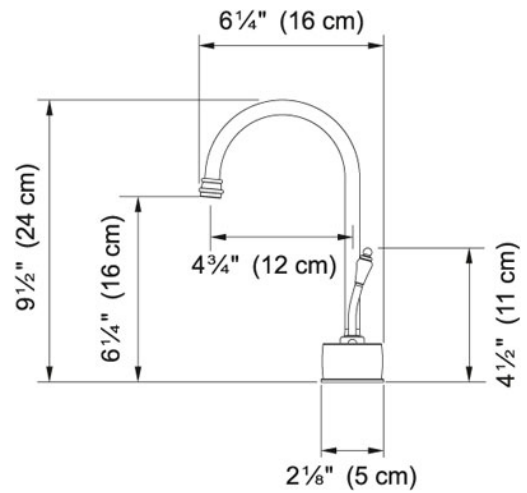


Hot Water Dispenser - LB6100 LB6180 Satin Nickel |

119.0296.721

FAMILY : Point of Use and Filtration | SERIE : Hot Water Dispenser - LB6100 | MODEL : LB6180 | FINISH : Satin Nickel |

INSTALLATION TYPE : Point of Use and Filtration | STYLE : Traditional



TECHNICAL DATA

Version	Hot Water Dispenser
Where to buy	Showroom

Hot Water Dispenser - LB6100 LB6180 Satin Nickel |
119.0296.721

FAMILY : Point of Use and Filtration | SERIE : Hot Water Dispenser - LB6100 | MODEL : LB6180 | FINISH : Satin Nickel |
INSTALLATION TYPE : Point of Use and Filtration | STYLE : Traditional

RELATED PARTS



133.0171.120

133.0204.098

SPECIFICATION SHEET

PRODUCT FAMILY: Point of Use and Filtration FINISH: other SERIES: FILTRATION MODEL: HT-200



Product Information

Article Number	119.0066.616
Model Name	HT-200
Applicable to	An optional upgrade to Franke Hot Water Dispensers

Suggested Products



133.0171.120