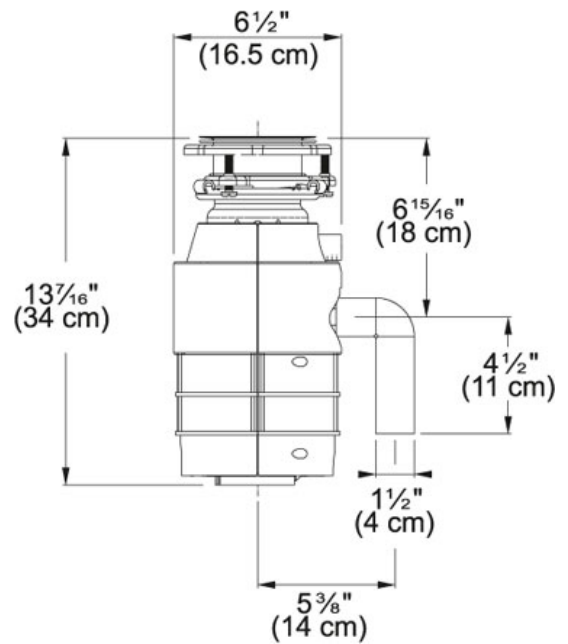


SPECIFICATION SHEET

PRODUCT FAMILY: **Waste Management** FINISH: **other** SERIES: **WASTE DISPOSERS** MODEL: **WD75RC**



Product Information

FUN# 134.0319.573

US Part Number WD75RC

RPM 2700

Horse Power 3/4 HP

* Stopper and flange standard on each disposer not available separately.
WD8026SN and WD8027C not compatible with this model.
Includes power cord.