

Read all instructions before installing or using this appliance.

## Installation Instructions

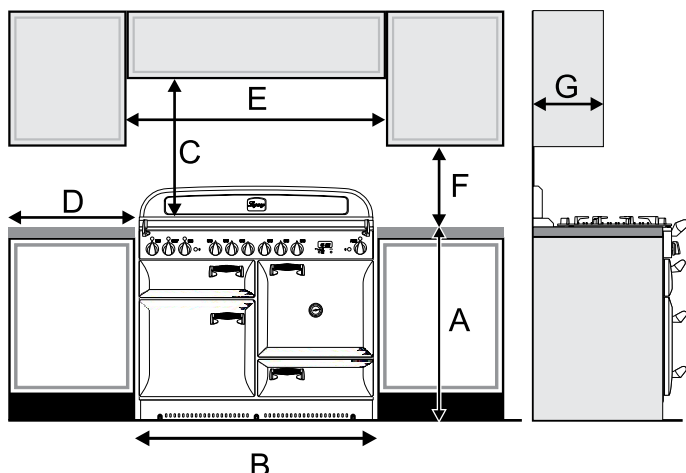
Save these instructions for future reference.

### Dimensions and clearances

Provide adequate clearances between the range and adjacent combustible surfaces. These dimensions must be met for safe use of your range. The location of the electrical outlet and pipe opening (see Gas Pipe and Electric Outlet Locations) may be adjusted to meet specific requirements.

### Positioning the Range

The diagrams below show the minimum recommended distance from the range to nearby surfaces.



A Min 35 <sup>3</sup>/<sub>8</sub>" (89.8cm) Max 36 <sup>7</sup>/<sub>16</sub>" (92.5cm)

B Min 43 <sup>5</sup>/<sub>16</sub>" (110cm) - 43 <sup>11</sup>/<sub>16</sub>" (111cm)  
recommend to allow for moving the range)  
For Canada Min 44 <sup>5</sup>/<sub>16</sub>" (112.5cm)

C Min 30" (76cm)

D Min 3" (7.5cm) but see below about door opening.

E Min 50" (127cm)

F Min 18" (43cm)

G Maximum 13" (33cm)

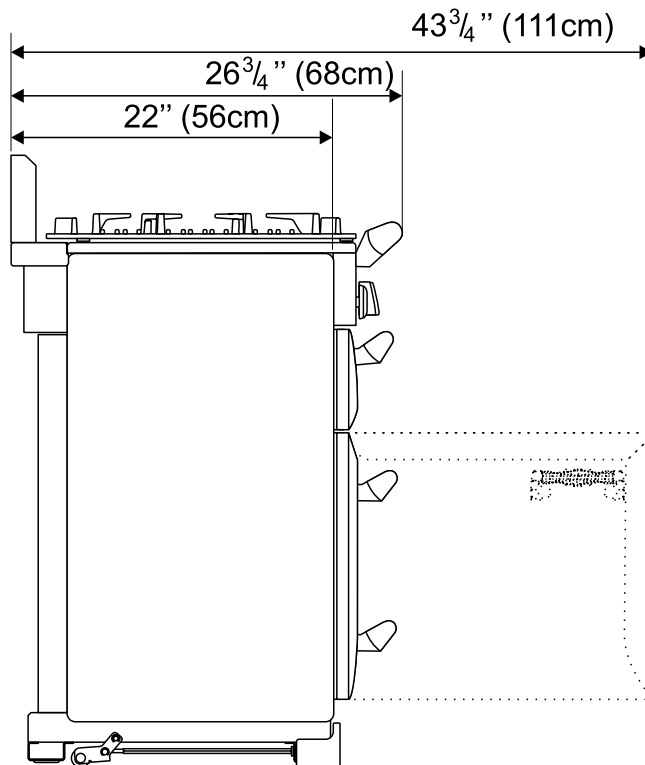
The cooktop surround should be level with, or above, any adjacent work surface. Above cooktop level a gap of 3" should be left between each side of the range and any adjacent vertical surface.

For non-combustible surfaces (such as unpainted metal or ceramic tiles) this can be reduced to 1".

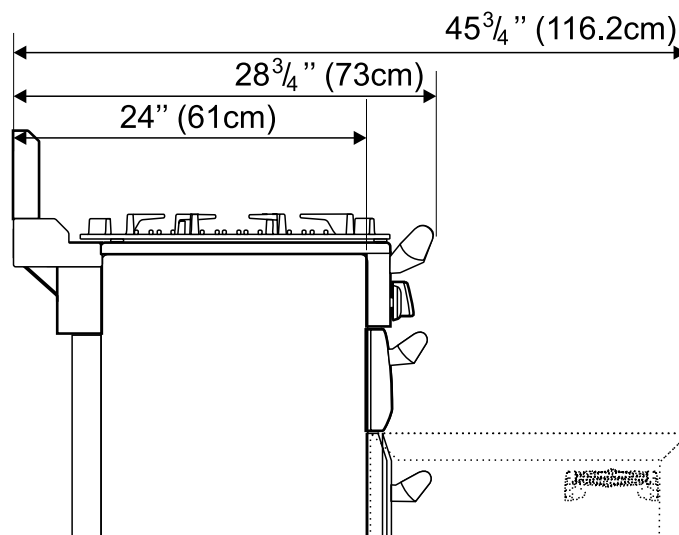
A minimum space of 30" is required between the top of the cooktop and a horizontal combustible surface.

The maximum depth for cabinets installed above cooktops is 13".

The standard depth of the range is 26 <sup>3</sup>/<sub>4</sub>" overall.



If the range is to be installed between 24" deep cabinets the optional rear spacer should be fitted to move the range 2" forward. See the spacer fitting instruction section of these instructions.



Any range hood should be installed in accordance with the hood manufacturer's instructions.

For safety reasons curtains must not be fitted immediately behind the range.