

24" MARVEL Beverage Refrigerator with 60/40 Split Convertible Shelf™ and MaxStore™ Utility Bin

Model # ML24BR****

- Dynamic Cooling Technology™ delivers rapid cooldown and the industry's best temperature stability
- 60/40 Split Convertible Shelf™— cantilevered glass shelving, wine rack with Vibration Neutralization System™ or both configurations all in one
- MARVEL Intuit™ Integrated Controls ensure precise temperature management from 34°F to 42°F
- Two-stage, soft white theatre-style LED lighting and midnight black interior
- Cantilevered, fully adjustable shelving system
- Solid, black-stained maple shelf fronts
- Tall item storage: Half-width interior shelf allows for high-clearance vertical storage
- MaxStore™ roller-glide clear utility bin provides maximum volume to effectively store large, bulky or loose items
- Thermal-efficient cabinet ensures optimum food preservation and energy efficiency while maximizing capacity
- Tinted, UV-resistant dual pane glass door protects wine from damaging ultra-violet light
- Close Door Assist System™ gently and automatically closes door
- Panel overlay option features soft-close integrated hinge for a truly flush fit with cabinetry
- Audible and visual alarms signal when door is left ajar to protect food integrity and energy use
- Vacation/Sabbath mode conserves energy during times when the unit is not in use and complies with Star-K requirements
- Height adjustment up to 1" with leveling legs
- 4" Black adjustable toe kick
- 1-year warranty

Ordering Details	
Stainless Frame Glass Door, Right Hinge	ML24BRG2RS
Stainless Frame Glass Door, Left Hinge	ML24BRG2LS
Smooth Black Frame Glass Door, Right Hinge	ML24BRG2RB
Smooth Black Frame Glass Door, Left Hinge	ML24BRG2LB
Panel Overlay Frame Glass Door, Integrated Right Hinge	ML24BRF3RP
Panel Overlay Frame Glass Door, Integrated Left Hinge	ML24BRF3LP
Solid Overlay panel Door, Integrated Right Hinge	ML24BRP3RP
Solid Overlay panel Door, Integrated Left Hinge	ML24BRP3LP

No panel installation kit required.



Storage Capacity

7 wine bottles
Up to (162) 12-oz cans

Storage Configuration

- (1) full-width 60/40 Split Convertible Shelf™ black steel-framed glass shelf
- (1) half-width cantilevered black steel-framed glass shelf
- (1) fixed black steel-framed glass shelf
- (1) MaxStore™ utility bin

Product Dimensions

23⁷/₈" W x 33³/₄" minimum H x 25⁵/₈" D
(including handle)

Finish/Door Options



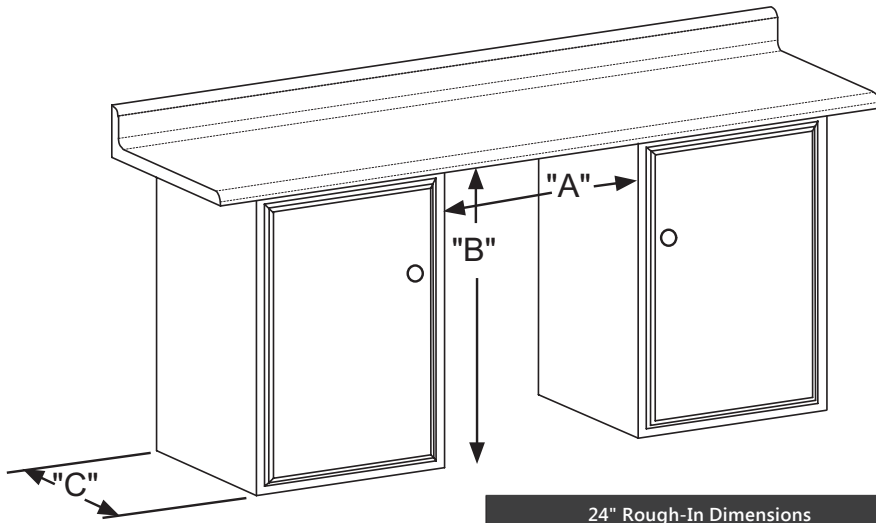
Stainless Steel



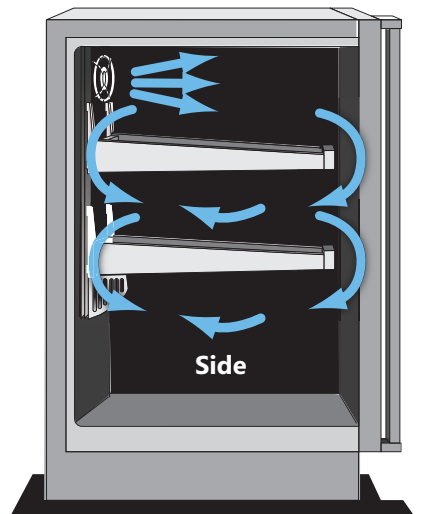
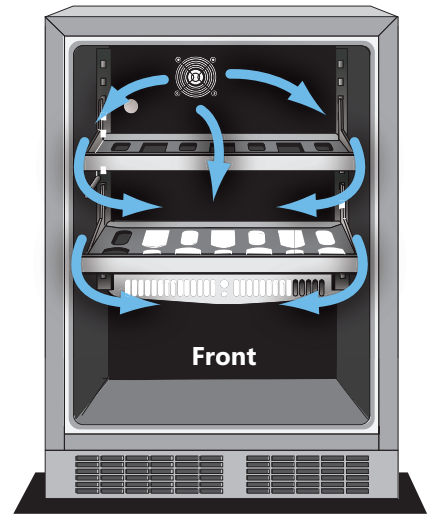
Black



Wood Overlay
(Panel Ready)



24" Rough-In Dimensions		
"A"	"B"	"C"
24" (61 cm)	**34" to 35" (86.4 to 88.9 cm)	24" (61 cm)



Cabinet Dimensions		
"D"	"E"	"F"
23 7/8" (60.7 cm)	33 3/4" to 34 3/4" (85.7 to 88.3 cm)	23 23/32" (60.2 cm)
"G"	"H"	"J"
25 21/32" (65.2 cm)	46 13/32" (117.9 cm)	25 11/16" (65.2 cm)

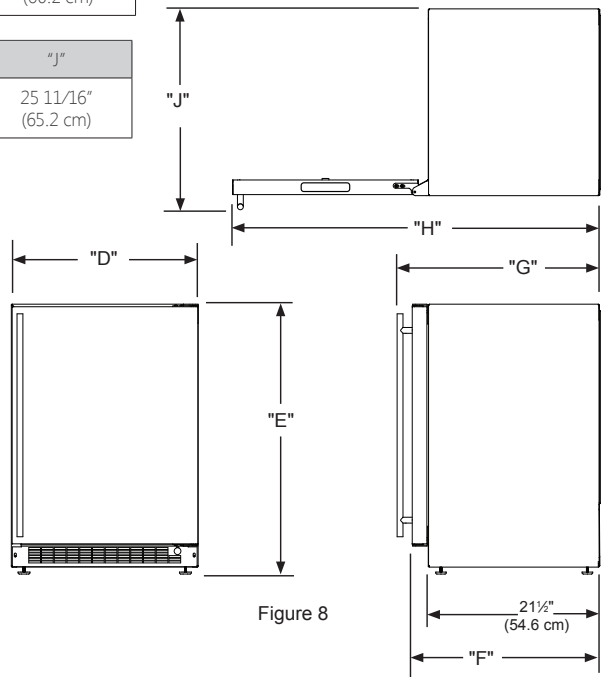


Figure 8

Dynamic Cooling Technology™ delivers rapid cool down and the industry's best temperature stability

The distinctive Marvel design features a thermal-efficient cabinet and door combined with Dynamic Cooling Technology™ for superior temperature stability, faster cooling times and speedy temperature recovery even with high frequency.

Width	23 7/8"
Interior Finish	Black
Capacity	Up to 7 wine bottles Up to 162 12-oz cans
Shelving System	Cantilever
Shelf Fronts	Black painted maple
Other Storage	MaxStore™ Utility Bin
Interior Lighting	2 White LED Pods
Toe Grill Finish	Black
Hinge	Classic Hinge
Handle	Designer

Control Type	Intuit™
Temperature Range	34° - 42° F
Lock	NA
Electrical Requirements	120V / 60Hz / 15A
Length of Power Cord	5'
Product Dimensions	23 7/8" W x 33 3/4" H x 21 1/2" D
Depth to Front of Door	23 23/32"
Depth to Handle	25 21/32"
Depth with door at 90°	46 13/32"
Shipping Weight	160 lbs

Finishes	SS, B, O
Vacation / Sabbath Mode	Yes
Agency Approvals	CSA

Finishes Key

SS = Stainless Steel
 B = Black
 O = Overlay

Overlay Panels

Depending on your model cut the overlay door panel to the dimensions shown in Figures 13 to 20. Also see Table "D" for the height dimension and door styles. The window cut out is for glass door models only. If your appliance has a lock also drill the lock hole in the panel, see Figure 22.

MODEL	DOOR DESCRIPTION	DIM "A"
ML15RAP*RP	Solid, Right Hand	30 ¹ / ₂ " (77.1 cm)
ML15RAP*LP	Solid, Left Hand	
ML15BCF*RP	Glass, Right Hand	
ML15BCF*LP	Glass, Left Hand	
ML15BCP*RP	Solid, Right Hand	
ML15BCP*LP	Solid, Left Hand	
ML24RAP*RP	Solid, Right Hand	
ML24RAP*LP	Solid, Left Hand	
ML24BRF*RP	Glass, Right Hand	
ML24BRF*LP	Glass, Left Hand	
MA24BRF*RP	Glass, Right Hand with Lock	27 ³ / ₂ " (70.4 cm)
MA24BRF*LP	Glass, Left Hand with Lock	
MA24RAP*RP	Solid, Right Hand with Lock	
MA24RAP*LP	Solid, Left Hand with Lock	

Table D

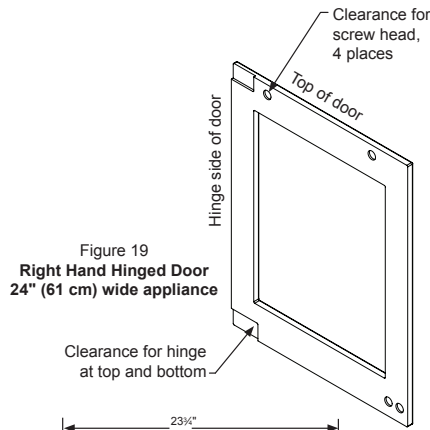


Figure 19
Right Hand Hinged Door
24" (61 cm) wide appliance

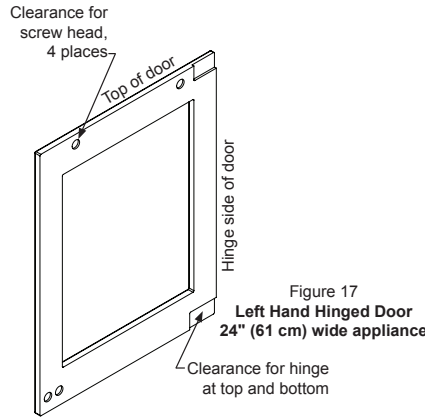


Figure 17
Left Hand Hinged Door
24" (61 cm) wide appliance

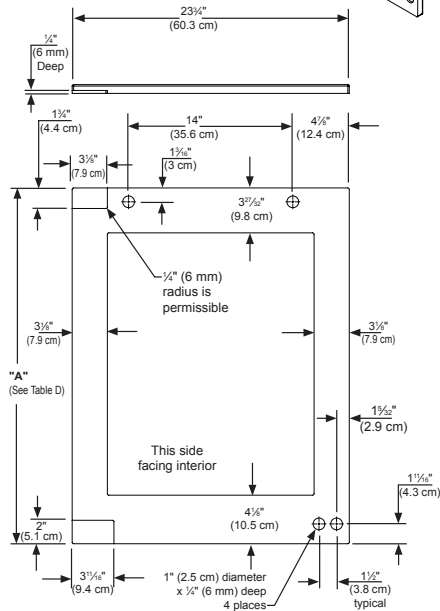


Figure 20
Right Hand Hinged Door
24" (61 cm) wide appliance

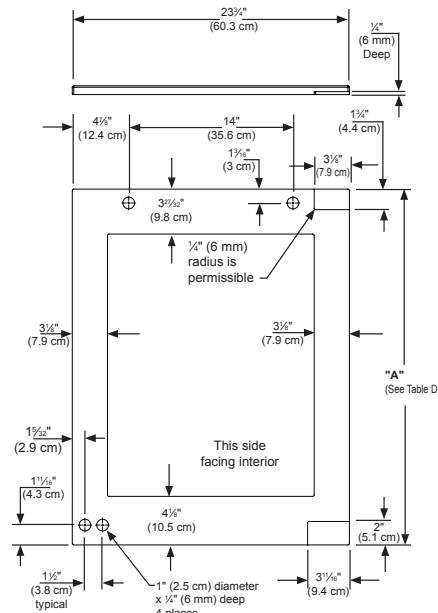


Figure 18
Left Hand Hinged Door
24" (61 cm) wide appliance

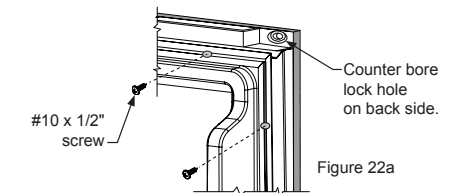


Figure 22a

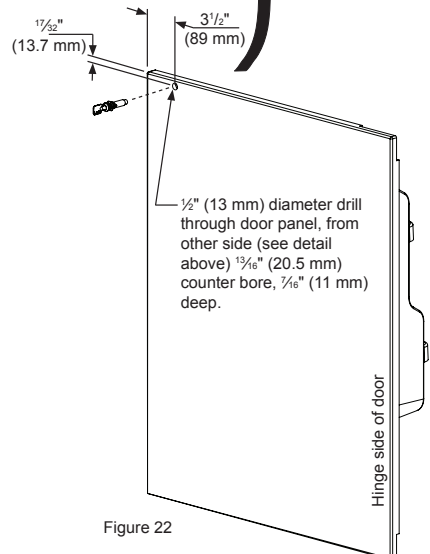


Figure 22

The preferred method of attaching the panel to the door is to clamp the panel to the door so it cannot move while drilling the screw pilot holes. Use bar clamps or "C" clamps with pads on the clamping surfaces that will not mar the panel or the door. The custom overlay panel should be flush with the top of the door and centered along the width of the door. See Figure 12a. Drill holes through the gasket extrusion using the 10 holes as pilot holes. Use the drill size from the chart in Table "C", being careful not to drill through the front surface of the panel, drill no deeper than 1/2" (12.7 mm) deep. If the overlay panel is thinner than 3/8" (16 mm) thick shorter screws will have to be obtained. Fasten the panel to the door with the 10 screws provided in the literature pack. (See Figure 22a). Remove the clamps and replace the gasket in the gasket extrusion channels of the door. Some force may be required to seat the gasket into the channels. Be sure the gasket corners are seated properly.

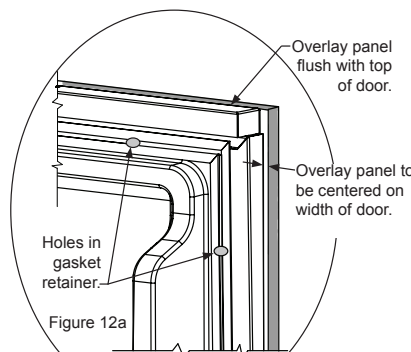


Figure 12a

Material Type	#10 Wood Screw
Hardwood	3/8" (9.5 mm) Diameter. Pilot Hole
Softwood	7/16" (11.1 mm) Diameter. Pilot Hole

Table C