

24" Marvel High-Efficiency Dual Zone Wine Cellar

Model # ML24WD****

- Our wine storage solution provides two separate and independently controlled temperature compartments for red and white wine. Store and serve reds in the top between 55°F and 62°F and whites in the bottom between 45° and 55° degrees
- Dynamic Cooling Technology™ delivers rapid cooldown and the industry's best temperature stability
- MARVEL Intuit™ Integrated Controls provide precise temperature management from 45°F to 62°F, allowing you to specifically set cabinet temperature to your preference
- Two-stage, soft white theatre-style LED lighting and midnight black interior
- Vibration Neutralization System™ protects wine from agitation
- Three-quarter extension roller-glide shelf system prevents jarring
- Thermal-efficient cabinet ensures optimum wine preservation and energy efficiency while maximizing capacity
- Tinted, UV-resistant dual pane glass door protects wine from damaging ultra-violet light
- Natural maple shelf fronts are stainable to match cabinetry
- Close Door Assist System™ gently and automatically closes door
- Panel overlay option features soft-close integrated hinge for a truly flush fit with cabinetry
- Sleek stainless steel door, designer handle and 4" adjustable black toe grill
- Audible and visual alarms signal when door is left ajar to protect wine integrity and energy use
- Vacation/Sabbath mode conserves energy during times when the unit is not in use and complies with Star-K requirements
- Height adjustment up to 1" with leveling legs
- Up to 2x more efficient than leading competitors
- 1-year warranty



Storage Capacity

Up to 40 bottles total

Storage Configuration

Upper zone: (3) 8-bottle roller-glide wine racks

Lower zone: (1) 8-bottle roller-glide wine rack and (2) 4-bottle half depth roller-glide wine racks

Product Dimensions

23⁷/₈" W x 33⁷/₈" minimum H x 25⁵/₈" D
(including handle)

Finish/Door Options



Stainless Steel



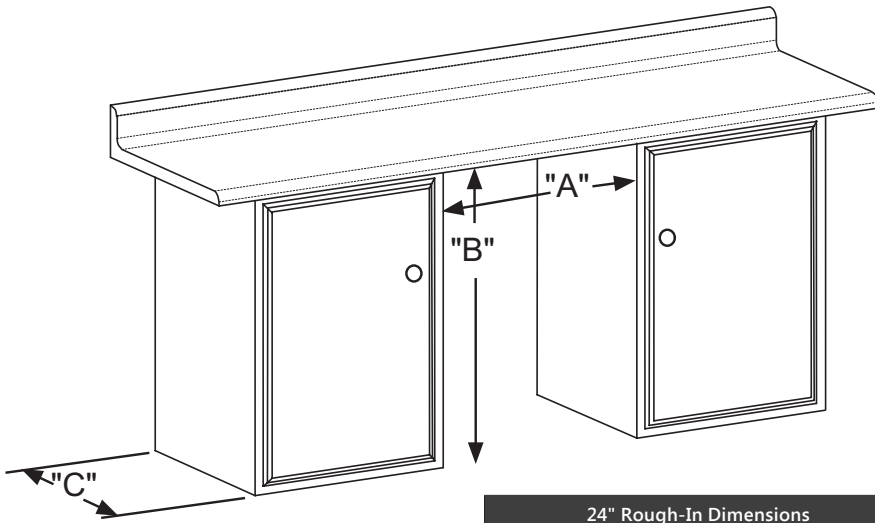
Black



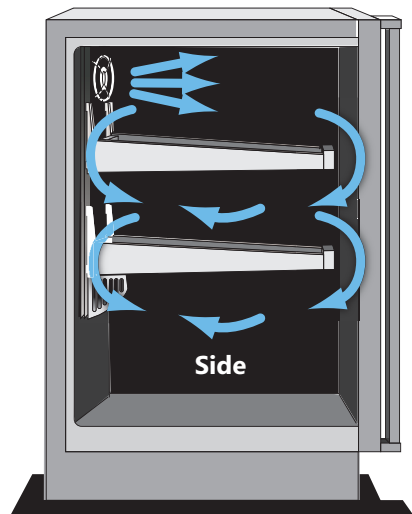
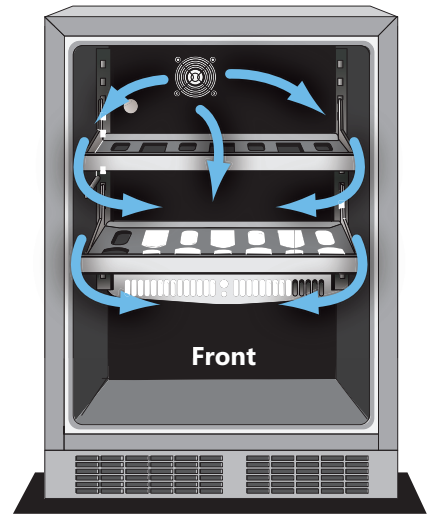
Wood Overlay
(Panel Ready)

Ordering Details	
Stainless Frame Glass Door, Right Hinge	ML24WDG2RS
Stainless Frame Glass Door, Left Hinge	ML24WDG2LS
Smooth Black Frame Glass Door, Right Hinge	ML24WDG2RB
Smooth Black Frame Glass Door, Left Hinge	ML24WDG2LB
Panel Overlay Frame Glass Door, Integrated Right Hinge	ML24WDF3RP
Panel Overlay Frame Glass Door, Integrated Left Hinge	ML24WDF3LP

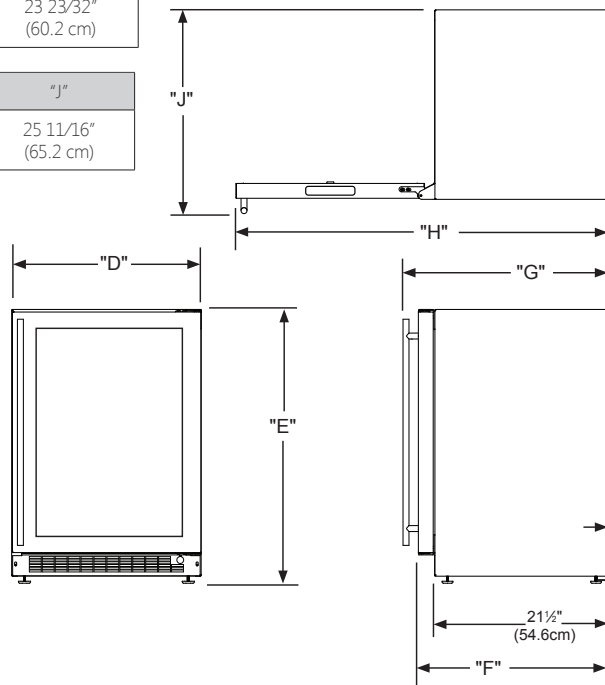
No panel installation kit required.



24" Rough-In Dimensions		
"A"	"B"	"C"
24" (61 cm)	**34" to 35" (86.4 to 88.9 cm)	24" (61 cm)



Cabinet Dimensions		
"D"	"E"	"F"
23 7/8" (60.7 cm)	33 3/4" to 34 3/4" (85.7 to 88.3 cm)	23 23/32" (60.2 cm)
"G"	"H"	"J"
25 21/32" (65.2 cm)	46 13/32" (117.9 cm)	25 11/16" (65.2 cm)



Dynamic Cooling Technology™ delivers rapid cool down and the industry's best temperature stability

The distinctive Marvel design features a thermal-efficient cabinet and door combined with Dynamic Cooling Technology™ for superior temperature stability, faster cooling times and speedy temperature recovery even with high frequency.

Width	23 7/8"
Interior Finish	Black
Capacity	Up to 40 wine bottles 24 Upper zone 16 Lower zone
Shelving System	Side mount - tray
Shelf Fronts	Black painted maple
Other Storage	NA
Interior Lighting	2 White LED Pods
Toe Grill Finish	Black
Hinge	Classic Hinge
Handle	Designer

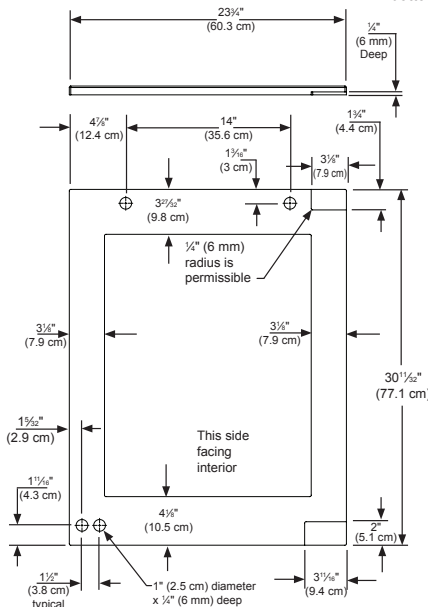
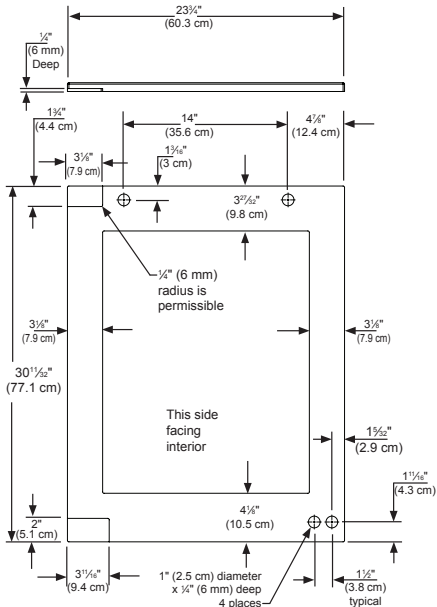
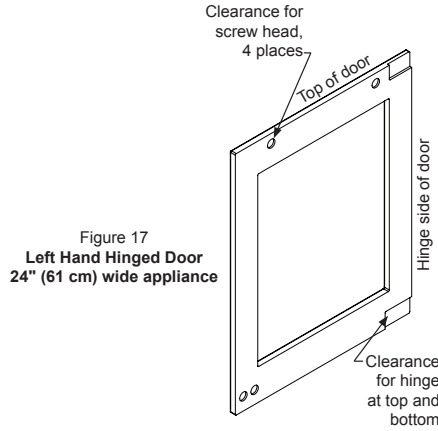
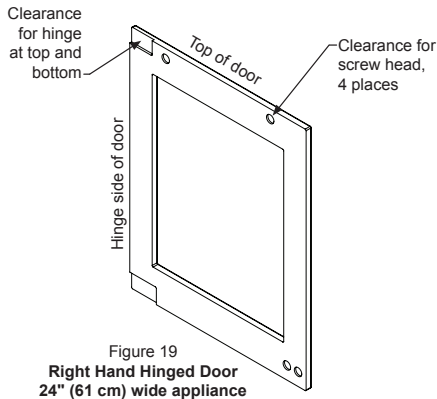
Control Type	Intuit™
Temperature Range	45° - 62° F
Lock	NA
Electrical Requirements	120V / 60Hz / 15A
Length of Power Cord	5'
Product Dimensions	23 7/8" W x 33 3/4" H x 21 1/2" D
Depth to Front of Door	23 23/32"
Depth to Handle	25 21/32"
Depth with door at 90°	46 13/32"
Shipping Weight	160 lbs

Finishes	SS, B, O
Vacation / Sabbath Mode	Yes
Agency Approvals	CSA
ENERGY STAR Certified	NA

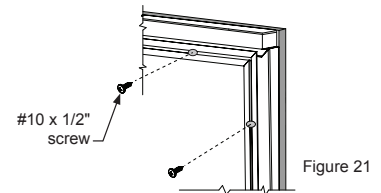
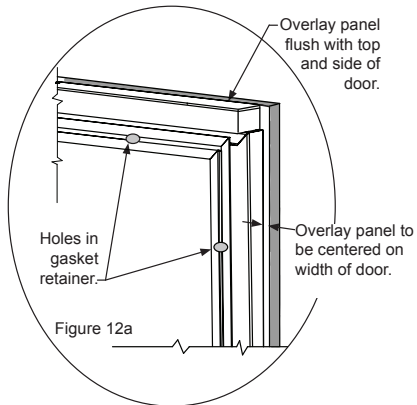
Finishes Key

- SS = Stainless Steel
- B = Black
- O = Overlay

Overlay Panels



The preferred method of attaching the panel to the door is to clamp the panel to the door so it cannot move while drilling the screw pilot holes. Use bar clamps or "C" clamps with pads on the clamping surfaces that will not mar the panel or the door. The custom overlay panel should be flush with the top of the door and centered along the width of the door. See Figure 12a. Drill holes through the gasket extrusion using the 10 holes as pilot holes. Use the drill size from the chart in Table "C", being careful not to drill through the front surface of the panel, drill no deeper than 1/2" (12.7 mm) deep. If the overlay panel is thinner than 5/8" (16 mm) thick shorter screws will have to be obtained. Fasten the panel to the door with the 10 screws provided in the literature pack. (See Figure 21). Remove the clamps and replace the gasket in the gasket extrusion channels of the door. Some force may be required to seat the gasket into the channels. Be sure the gasket corners are seated properly.



Material Type	#10 Wood Screw
Hardwood	5/8" (3.2 mm) Diameter. Pilot Hole
Softwood	7/8" (2.8 mm) Diameter. Pilot Hole

Table C