

24" Marvel All Refrigerator with MaxStore™ Utility Bin

Model # ML24RA****



Certified to meet ENERGY STAR® requirements

- Dynamic Cooling Technology™ delivers rapid cooldown and the industry's best temperature stability
- MARVEL Intuit™ Integrated Controls ensures precise temperature management from 34°F to 42°F
- MaxStore™ roller-glide clear utility bin provides maximum volume to effectively store large, bulky or loose items
- Tall item storage: Half-width interior shelf and extra door storage allows for high-clearance vertical storage
- Pristine arctic white interior easily wipes clean and efficient white LED lighting illuminates interior for better viewing
- Close Door Assist System™ gently and automatically closes door
- Panel overlay option features soft-close integrated hinge for a truly flush fit with cabinetry
- Audible and visual alarms signal when door is left ajar to protect food integrity and energy use
- Vacation/Sabbath mode conserves energy during times when the unit is not in use and complies with Star-K requirements
- Height adjustment up to 1" with leveling legs
- 4" black adjustable toe kick
- 1-year warranty



Ordering Details	
Solid Stainless Steel Door, Right Hinge	ML24RAS2RS
Solid Stainless Steel Door, Left Hinge	ML24RAS2LS
Smooth White Door, Right Hinge	ML24RAS2RW
Smooth White Door, Left Hinge	ML24RAS2LW
Smooth Black Door, Right Hinge	ML24RAS2RB
Smooth Black Door, Left Hinge	ML24RAS2LB
Solid Panel Overlay Door, Integrated Right Hinge	ML24RAP3RP
Solid Panel Overlay Door, Integrated Left Hinge	ML24RAP3LP

No panel installation kit required.

Storage Capacity

Up to (115) 12-oz cans

Storage Configuration

- (1) full-width and (1) half-width cantilevered, fully adjustable white steel-framed glass shelves
- (1) fixed steel-framed glass shelf
- (1) MaxStore™ Utility Bin

Product Dimensions

23⁷/₈" W x 33³/₄" minimum H x 25⁵/₈" D
(including handle)

Finish/Door Options

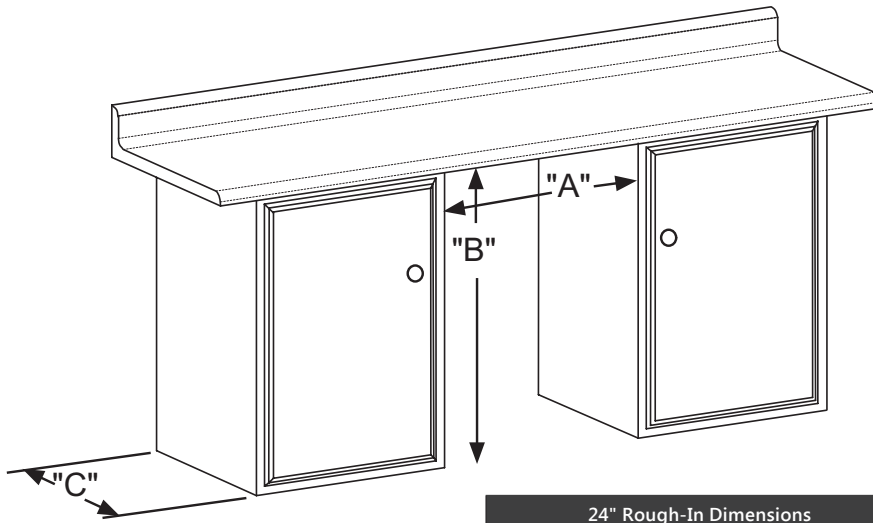


Stainless Steel

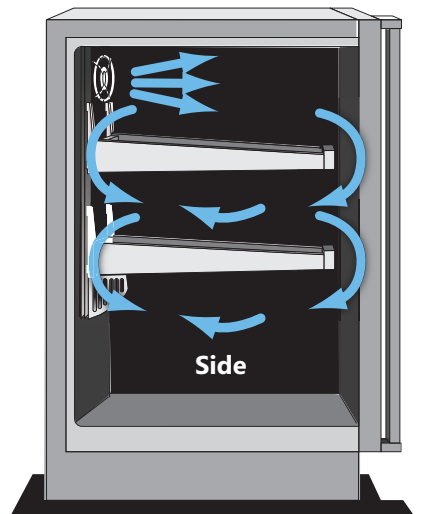
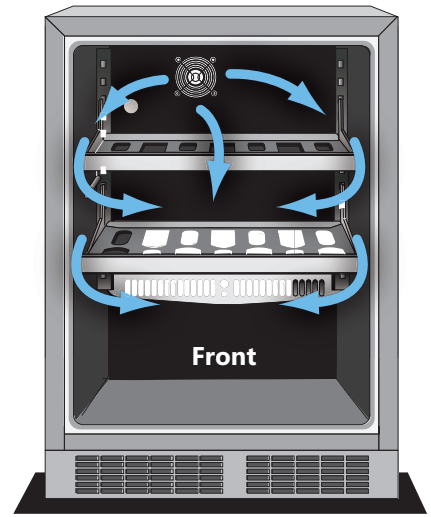
White

Black

Wood Overlay
(Panel Ready)



24" Rough-In Dimensions		
"A"	"B"	"C"
24" (61 cm)	**34" to 35" (86.4 to 88.9 cm)	24" (61 cm)



Cabinet Dimensions		
"D"	"E"	"F"
23 7/8" (60.7 cm)	33 3/4" to 34 3/4" (85.7 to 88.3 cm)	23 23/32" (60.2 cm)
"G"	"H"	"J"
25 21/32" (65.2 cm)	46 13/32" (117.9 cm)	25 11/16" (65.2 cm)

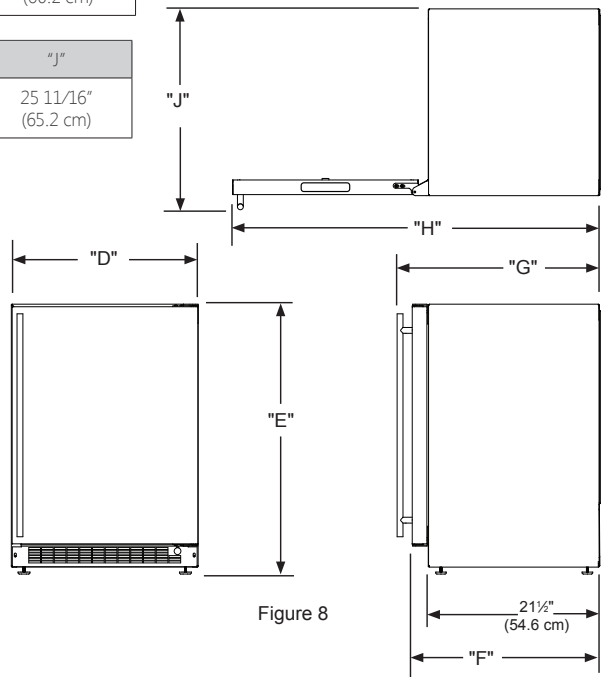


Figure 8

Dynamic Cooling Technology™ delivers rapid cool down and the industry's best temperature stability

The distinctive Marvel design features a thermal-efficient cabinet and door combined with Dynamic Cooling Technology™ for superior temperature stability, faster cooling times and speedy temperature recovery even with high frequency.

Width	23 7/8"
Interior Finish	White
Capacity	up to 100 12-oz cans
Shelving System	Cantilever
Shelf Fronts	Black painted maple
Other Storage	MaxStore™ Utility Bin
Interior Lighting	2 White LED Pods
Toe Grill Finish	Black
Hinge	Classic Hinge
Handle	Designer

Control Type	Intuit™
Temperature Range	34° - 42° F
Lock	NA
Electrical Requirements	120V / 60Hz / 15A
Length of Power Cord	5'
Product Dimensions	23 7/8" W x 33 3/4" H x 21 1/2" D
Depth to Front of Door	23 23/32"
Depth to Handle	25 21/32"
Depth with door at 90°	46 13/32"
Shipping Weight	160 lbs

Finishes	SS, B, W, O
Vacation / Sabbath Mode	Yes
Agency Approvals	CSA
Energy Star Certified	

Finishes Key

- SS = Stainless Steel
- B = Black
- W = White
- O = Overlay

Overlay Panels

Depending on your model cut the overlay door panel to the dimensions shown in Figures 13 to 20. Also see Table "D" for the height dimension and door styles. The window cut out is for glass door models only. If your appliance has a lock also drill the lock hole in the panel, see Figure 22.

MODEL	DOOR DESCRIPTION	DIM "A"	
ML15RAP*RP	Solid, Right Hand	30 ¹ / ₂ " (77.1 cm)	
ML15RAP*LP	Solid, Left Hand		
ML15BCF*RP	Glass, Right Hand		
ML15BCF*LP	Glass, Left Hand		
ML15BCP*RP	Solid, Right Hand		
ML15BCP*LP	Solid, Left Hand		
ML24RAP*RP	Solid, Right Hand		27 ² / ₃₂ " (70.4 cm)
ML24RAP*LP	Solid, Left Hand		
ML24BRF*RP	Glass, Right Hand		
ML24BRF*LP	Glass, Left Hand		
ML24BRP*RP	Solid, Right Hand		
ML24BRP*LP	Solid, Left Hand		
MA24BRF*RP	Glass, Right Hand with Lock	27 ² / ₃₂ " (70.4 cm)	
MA24BRF*LP	Glass, Left Hand with Lock		
MA24RAP*RP	Solid, Right Hand with Lock		
MA24RAP*LP	Solid, Left Hand with Lock		

Table D

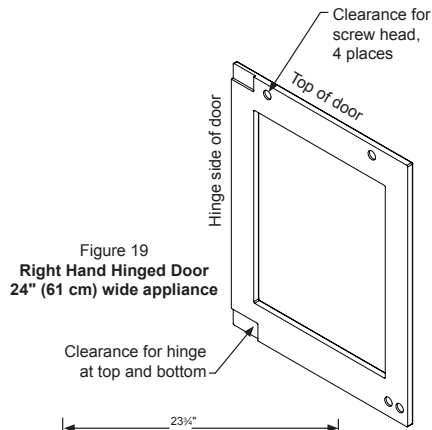


Figure 19
Right Hand Hinged Door
24" (61 cm) wide appliance

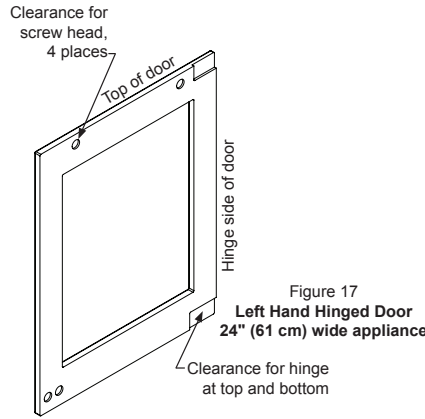


Figure 17
Left Hand Hinged Door
24" (61 cm) wide appliance

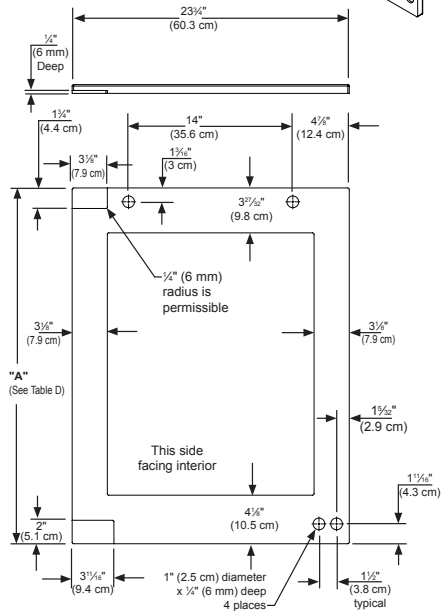


Figure 20
Right Hand Hinged Door
24" (61 cm) wide appliance

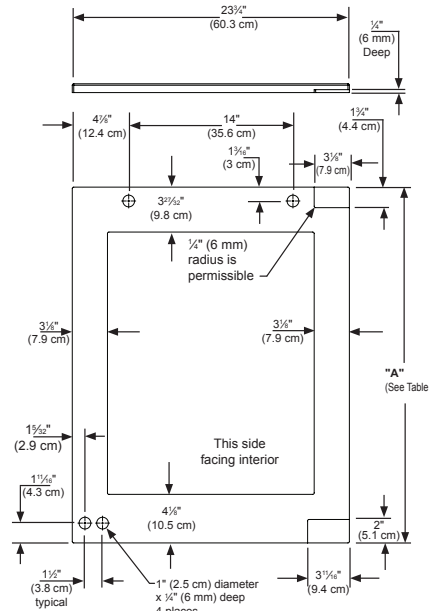
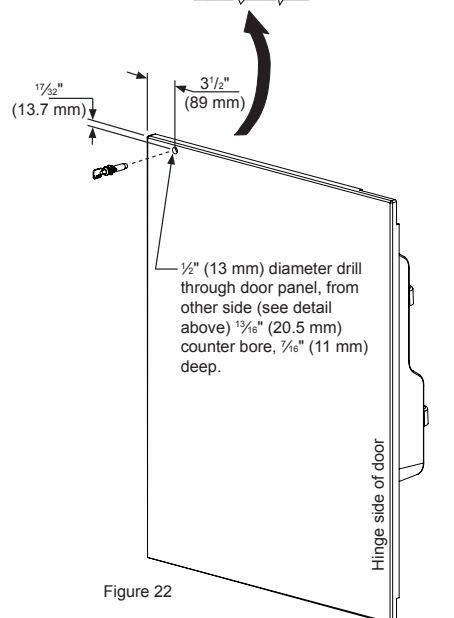
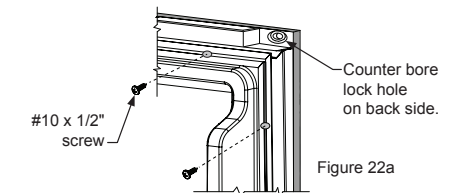
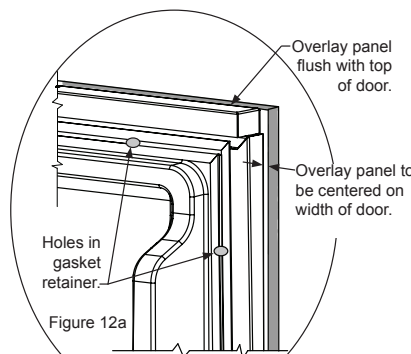


Figure 18
Left Hand Hinged Door
24" (61 cm) wide appliance



The preferred method of attaching the panel to the door is to clamp the panel to the door so it cannot move while drilling the screw pilot holes. Use bar clamps or "C" clamps with pads on the clamping surfaces that will not mar the panel or the door. The custom overlay panel should be flush with the top of the door and centered along the width of the door. See Figure 12a. Drill holes through the gasket extrusion using the 10 holes as pilot holes. Use the drill size from the chart in Table "C", being careful not to drill through the front surface of the panel, drill no deeper than 1/2" (12.7 mm) deep. If the overlay panel is thinner than 5/8" (16 mm) thick shorter screws will have to be obtained. Fasten the panel to the door with the 10 screws provided in the literature pack. (See Figure 22a). Remove the clamps and replace the gasket in the gasket extrusion channels of the door. Some force may be required to seat the gasket into the channels. Be sure the gasket corners are seated properly.



Material Type	#10 Wood Screw
Hardwood	5/8" (3.2 mm) Diameter. Pilot Hole
Softwood	7/64" (2.8 mm) Diameter. Pilot Hole

Table C