



# 15" Marvel Low Profile Clear Ice Machine with Arctic Illuminice™ Lighting

Model # MA15CL & MA15CP

## Performance

- The quietest ice machine you can buy
- New energy-saving options conserve water and electricity
- Engineered to consistently produce pure, clear ice with unrivaled clarity, immediate cooling and slower melt
- Produces up to 39 pounds of clear ice daily, the equivalent of nearly eight convenience-store ice bags
- Close Door Assist System™ prevents energy loss by automatically drawing door to a gentle close
- Streamlined componentry and single-connection water fitting for simple installation

## Storage Capabilities

- Large-capacity bin stores 35 pounds of clear ice

## Touchpad Controls

- Multifunction Marvel Intuit™ Integrated Controls adapt ice production to usage needs
- Eco Ice™ mode moderates ice production to conservative usage, saving 25% water (91 gallons monthly) and 25% energy (\$45 annually)\*\*
- Audible alerts and programmed cleaning reminders

## Aesthetics

- New Illuminice™ feature projects arctic white LED lighting through clear ice for a dazzling illumination effect
- High-efficiency, low-maintenance condenser design for built-in zero clearance installations
- Finish options: stainless steel or overlay (panel ready)

## Additional Convenience

- Low profile, ADA height allows for universal installation applications
- Black toe kick adjustable to 4" with leveling legs
- 1-year parts and labor warranty, 5-year sealed system parts warranty

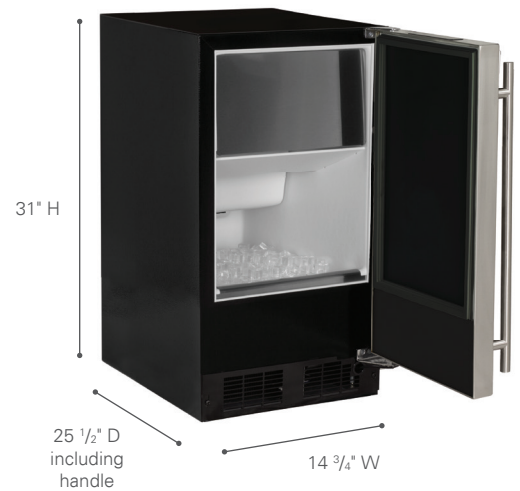
## Finish Options



Stainless Steel



Solid Overlay (Panel Ready)\*



## Gravity Drain Applications

Solid Stainless Steel Door, Right Hinge	MA15CLS1RS
Solid Stainless Steel Door, Left Hinge	MA15CLS1LS
Panel-Ready Solid Overlay Panel Door, Right Hinge*	MA15CLP1RP
Panel-Ready Solid Overlay Panel Door, Left Hinge*	MA15CLP1LP

## Factory Installed Pump

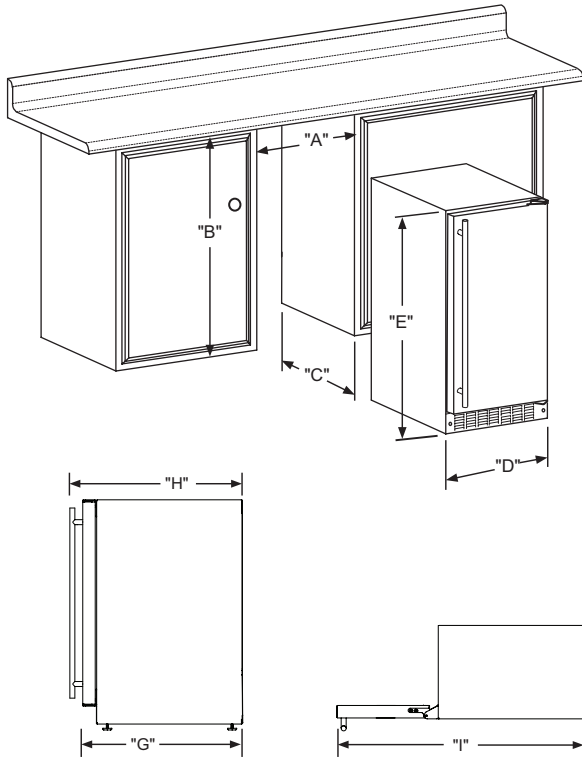
Solid Stainless Door, Right Hinge	MA15CPS1RS
Solid Stainless Door, Left Hinge	MA15CPS1LS
Panel-Ready Solid Overlay Panel Door, Right Hinge*	MA15CPP1RP
Panel-Ready Solid Overlay Panel Door, Left Hinge*	MA15CPP1LP

## Accessories

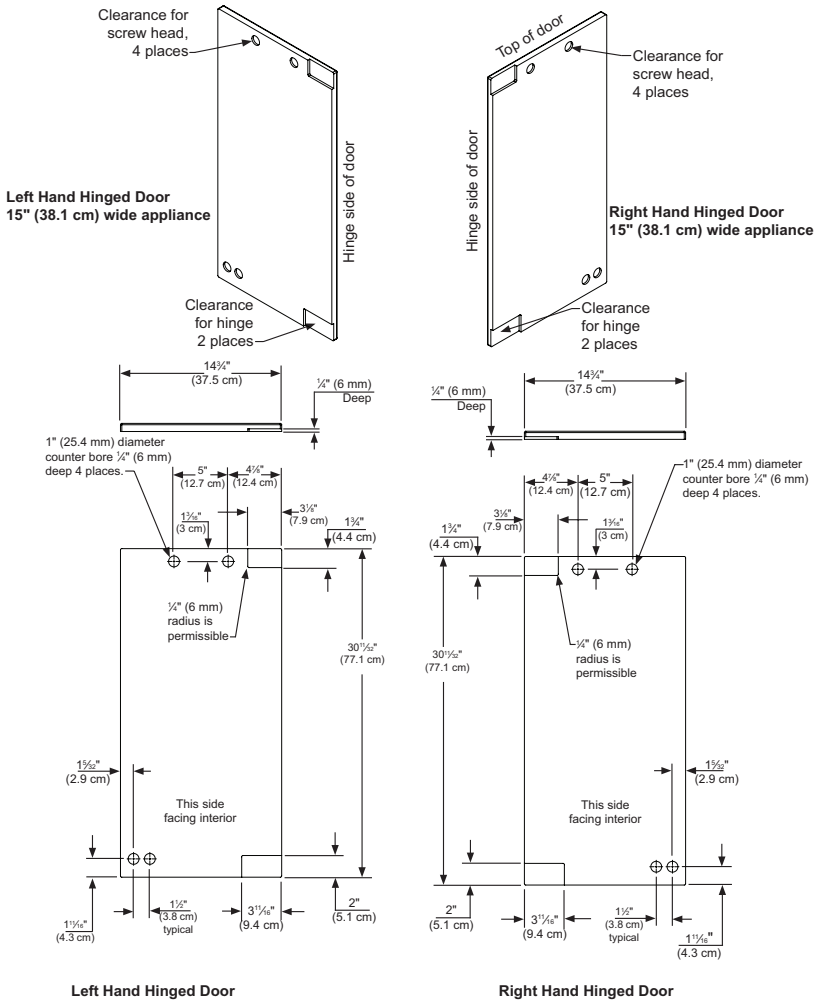
Clear Ice Machine Cleaner, 4-oz bottle	S41013789
--	-----------



## Product Dimensions



## Panel Overlay Dimensions



## Rough-In Dimensions

A. Rough-In Width	15"
B. Rough-In Height	31 3/8" to 32 3/8"
C. Rough-In Depth	24"

## Product Dimensions

D. Width	14 7/8"	
E. Height	31 1/8 to 32 1/8	
F. Depth	21 1/2"	
G. Depth to Front of Door	Solid Door	23 5/8"
	Overlay Door	22 7/8" Without Handle
H. Depth to Handle	25 1/2" (Stainless Steel)	
I. Depth with door at 90°	Solid Door	37 1/16"
	Overlay Door	37 1/16"

## Product Features

Interior Cabinet Finish	White
Capacity	Up to 35 lbs of clear ice
Shelving System	NA
Shelf Fronts	NA
Other Storage	Ice Bin
Interior Lighting	White LED
Toe Grill Finish	Black
Hinge	Classic Hinge
Handle	Slim Designer Handle (Panel Overlay Does Not Include Handle)
Control Type	Intuit™
Temperature Range	NA
Lock	No
Electrical Requirements	120V / 60Hz / 15A
Length of Power Cord	6'
Shipping Weight	120 lbs
Finishes	Stainless Steel, Overlay
Vacation Mode	Yes
Agency Approvals	CSA

For comprehensive installation instructions, please visit [www.marvelrefrigeration.com](http://www.marvelrefrigeration.com) to access the owner's guide.