



## 24" Marvel Outdoor Refrigerated Drawers

Model # MO24RDS3NS

### Performance

- CSA certified for outdoor use to withstand elements like rain, corrosion, high humidity and heat
- Tested to perform in temperatures as high as 115° F
- Dynamic Cooling Technology™ delivers the industry's best temperature stability and rapid cool down, tested and proven to cool nearly 2x faster than competitors
- Thermal-efficient insulated cabinet ensures optimum energy efficiency and cooling performance
- Now even quieter operation thanks to exclusive design enhancements to buffer and minimize sound

### Storage Capabilities

- 5.0 cu. ft. capacity, stores up to (108) 12-oz cans in two large-capacity smooth-glide drawers

### Temperature Controls

- Marvel Prime™ controls for precise, frost-free temperature management between 34° to 42° F
- Audible alarms for door ajar and high/low temperature ensure your contents stay at optimal temperature

### Aesthetics

- Drawer interior durably constructed from stainless steel, the most hygienic, easy-to-clean and stain-resistant of materials
- Efficient arctic white LED lighting
- Corrosion-resistant stainless-steel exterior, sturdy pro-style handles and rugged stainless steel toe kick
- Finish: stainless steel

### Additional Convenience

- Door lock provides added safety and security
- Close Door Assist System™ gently and automatically draws door to a close, ensuring door is never accidentally left ajar
- Stainless steel toe kick adjustable to 4" with leveling legs
- 1-year parts and labor warranty, 5-year sealed system parts warranty



### Ordering Options

Solid Stainless Steel Drawer Fronts with Lock, Professional Handle

MO24RDS3NS

\*Easy installation! No panel kit required. Consult your cabinet maker for overlay panel and handle options.



### Finish

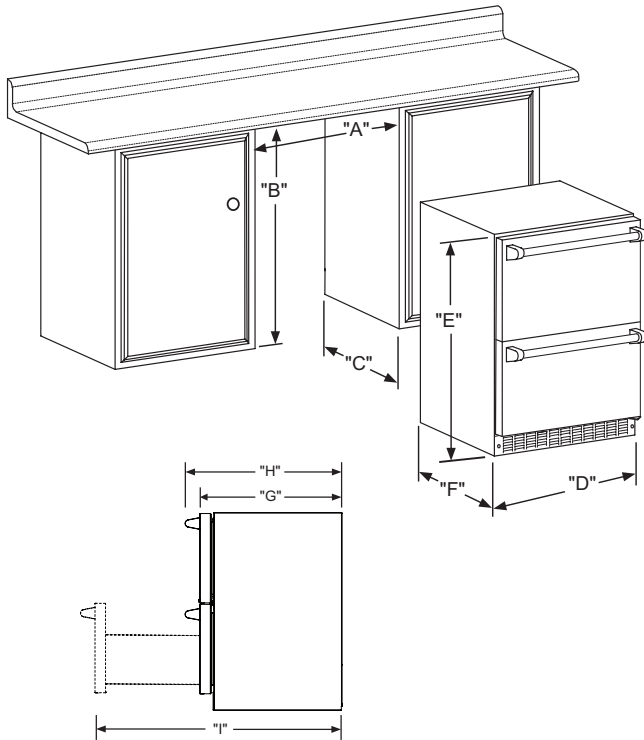


Stainless Steel



Certified for Outdoor Use

## Product Dimensions



## Rough-In Dimensions

A. Rough-In Width	24
B. Rough-In Height	34" to 35"
C. Rough-In Depth	24"

## Product Dimensions

D. Width	23 7/8"
E. Height	33 3/4" to 34 3/4"
F. Depth	21 1/2"
G. Depth to Front of Door	23 23/32"
H. Depth to Handle	26 7/32"
I. Depth with door at 90°	39 5/32"

## Product Features

Interior Cabinet Finish	White
Capacity	Up to 108 12-oz cans
Shelving System	NA
Shelf Fronts	NA
Other Storage	2 Large-Capacity Drawers
Interior Lighting	White LED
Toe Grill Finish	Stainless Steel
Hinge	NA
Handle	Professional
Control Type	Prime™
Temperature Range	34° to 42° F
Lock	Yes
Electrical Requirements	120V / 60Hz / 15A
Length of Power Cord	6'
Shipping Weight	160 lbs
Finishes	Stainless Steel
Vacation Mode	No
Agency Approvals	CSA, ENERGY STAR

For comprehensive installation instructions, please visit [www.marvelrefrigeration.com](http://www.marvelrefrigeration.com) to access the owner's guide.