

PRODUCT DIMENSIONS

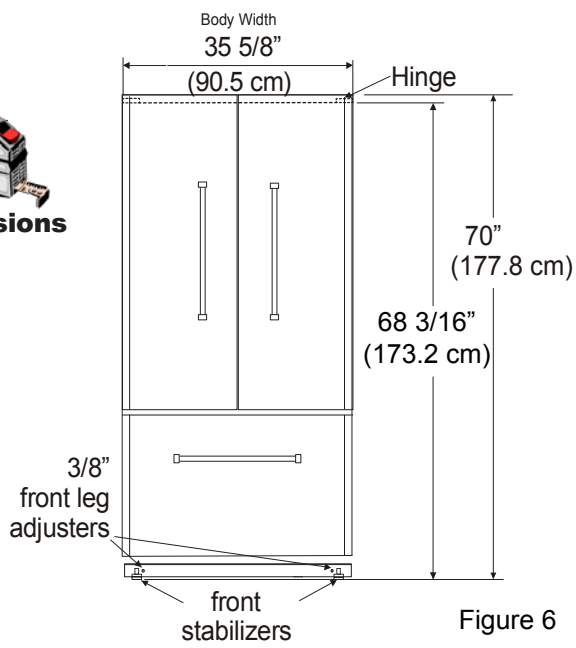
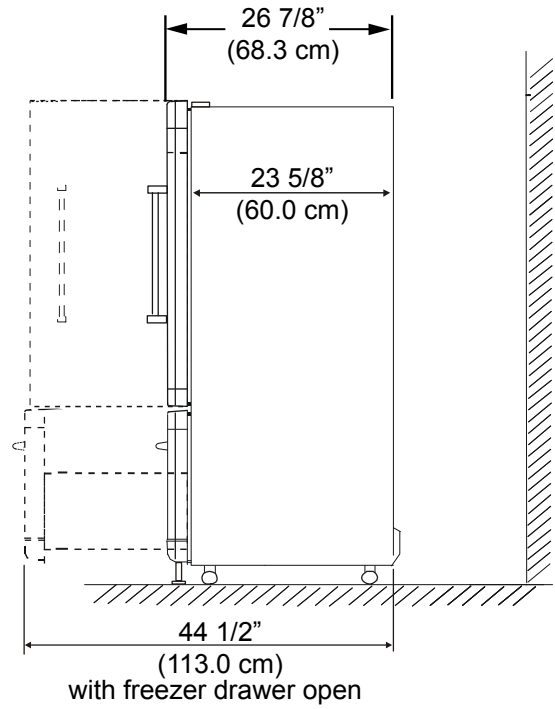


Figure 6



with freezer drawer open



Rough In Measurements

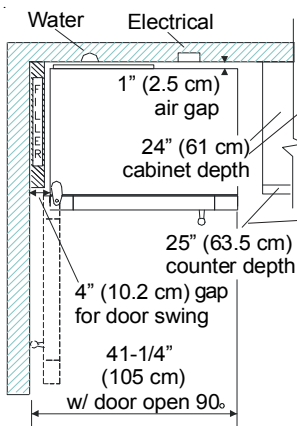


Figure 7

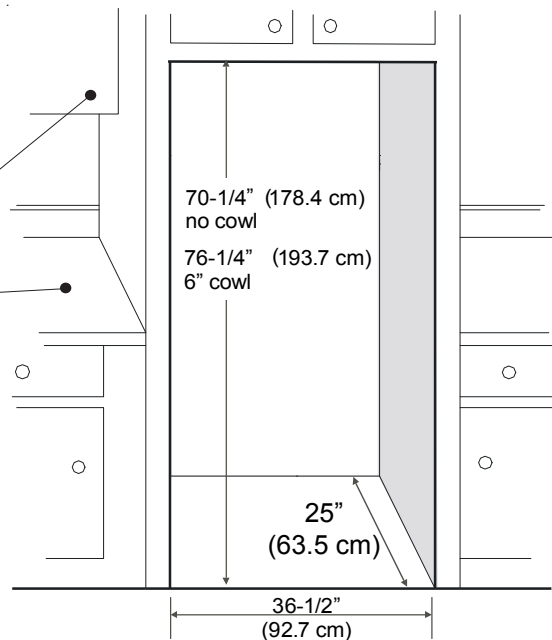


Figure 8