

# Elise

## 24" Built-In Tall Tub Dishwasher

### AELTTDW

#### Performance Features

- **Multi-Level Washing for Wash-It-Once Results**  
Variable pressure washing with three spray arms, sensor monitors to assess the soil level of dishes, and a triple filtration system to remove even the smallest particles all work in harmony to make sure your dishes are clean the first time.
- **Condensate Quick Dry**  
Moisture condensates on the cooler stainless steel tank and door and drains to the sump area for quick and efficient drying.
- **Quiet Operation**  
Three layers of insulation create one of the quietest dishwashers on the market.
- **6 Cycles with 4 Options**  
Cycles include Pots/Pans Plus (extra-heavy); Pots/Pans (heavy); Regular Wash (normal); Daily Wash (medium); Quick Wash (35 minutes!); Rinse/Hold (pre-rinse).  
Options include Half Load to save energy; Auto Tablet detects rinse aid and automatically sets drying time duration; Delay Start lets you delay activation for up to 24 hours; Sanitize brings the water temperature up to NSF requirements.
  - » LCD screen displays remaining run time.
  - » Floor indicator light discreetly displays on floor while dishwasher is running.

#### Interior Features

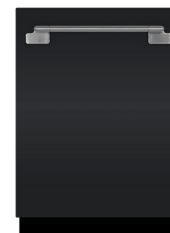
- **Adjustable Top Rack**  
Two positions allows you to accommodate taller glasses in the upper rack or larger pans in the bottom rack.
- **Adjustable Tines on Lower Rack**  
Four rows of tines can be adjusted for easier loading of pans.
- **Stemware Cradles**  
Two stemware cradles gently hold wine glasses to prevent damage.
- **Sliding One-Piece Cutlery Basket**  
Every load is different. And the sliding cutlery basket makes it easier to fit everything in every load.
- **Holds 14 Place Settings**



#### Color Options



Gloss Black  
AELTTDW-BLK



Matte Black  
AELTTDW-MBL



White  
AELTTDW-WHT



Ivory  
AELTTDW-IVY



Stainless Steel  
AELTTDW-SS



Midnight Sky  
AELTTDW-SKY

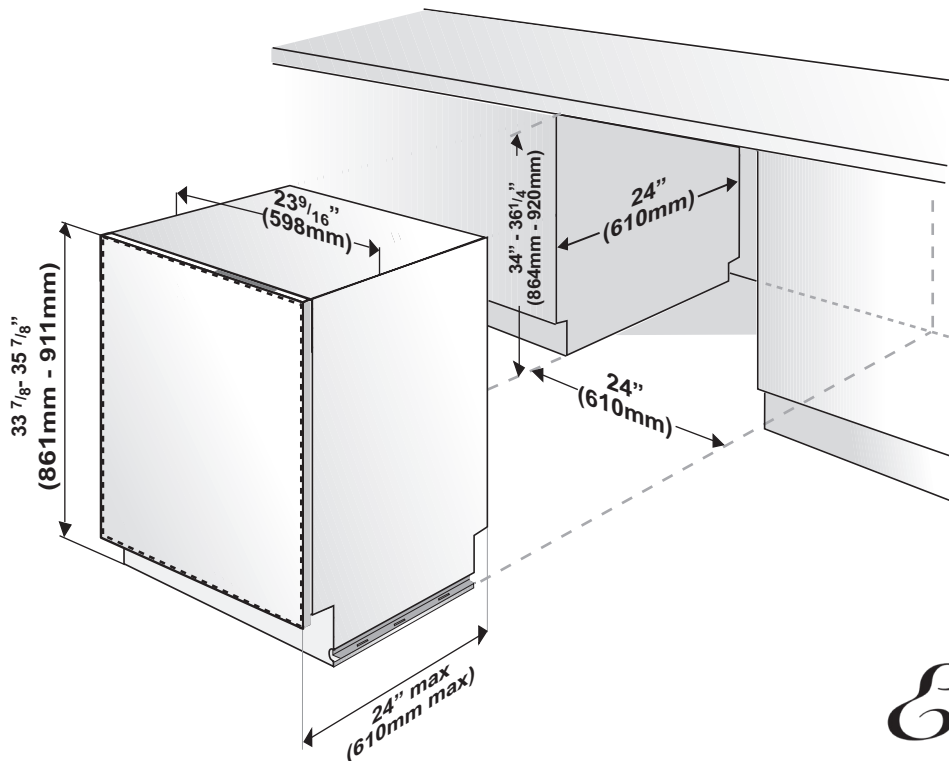
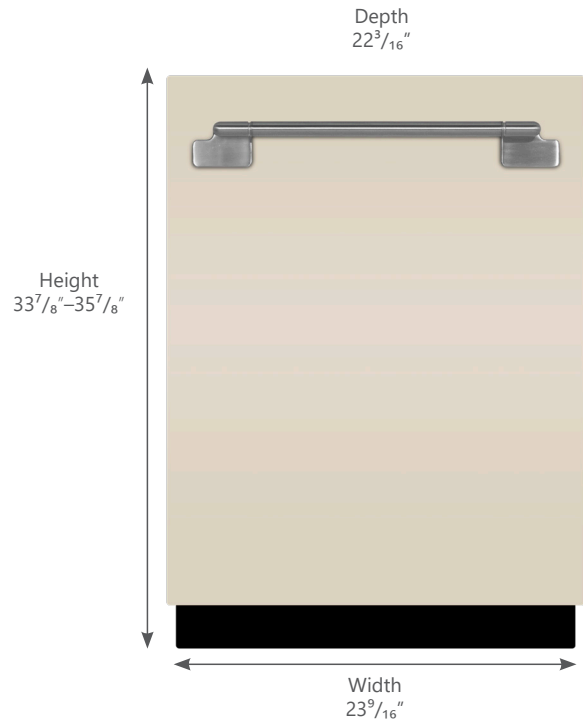
AELTTDW includes AGA Elise Door Panel Kit and Dishwasher CFDW103 (some assembly required)

# Elise

## 24" Built-In Tall Tub Dishwasher

AELTTDW

Technical Details	
Height (Adjustable)	33-7/8" – 35-7/8"
Width	23-9/16"
Depth	22-3/16"
Depth with 90° Door Open	47-1/4"
Shipping Weight (Approx.)	97 lbs.
Power Supply Location	Back Bottom Middle
Water Inlet Location	Front Bottom Left
Water Usage (Gallons) - Normal Cycle	3.5-5.0
Water Pressure (PSI)	4.35 - 145 psi
Water Heating Element Rating	1240 watts
Inlet Water Temperature	120°F (49°C) required
Electrical Requirement	12 amps, 120V / 60 Hz Includes 4' electrical cord
Number of Wash Levels	6
Sound Level	48dB



Elise