



24" Marvel Refrigerated Drawers

Model # ML24RD

Performance

- Dynamic Cooling Technology™ delivers the industry's best temperature stability and rapid cool down, tested and proven to cool nearly 2x faster than competitors
- Thermal-efficient cabinet ensures optimum preservation and energy efficiency while maximizing capacity
- Now even quieter operation thanks to exclusive design enhancements to buffer and minimize sound

Storage Capabilities

- 5.0 cu. ft. capacity, stores (108) 12-oz cans in two large-capacity roller-glide drawers

Touchscreen Controls

- Multifunction Marvel Intuit™ Integrated Controls allow you to select a precise cabinet temperature from 35° F to 42° F
- Vacation mode conserves energy during times when unit is not in use
- For expanded information on all functions, open the gatefold at the beginning of this catalog

Aesthetics

- Specially designed for a truly flush fit with adjoining cabinetry
- Pristine arctic white interior easily wipes clean
- Efficient white LED lighting illuminates interior for better viewing
- Finish options: stainless steel, black or overlay (panel ready)

Additional Convenience

- Close Door Assist System™ gently and automatically brings drawers to a close, ensuring They're never accidentally left ajar
- Black toe kick adjustable to 4" with leveling legs
- 1-year parts and labor warranty, 5-year sealed system parts warranty

Ordering Options

Solid Stainless Steel Drawer Front, Stainless Designer Handle	ML24RDS3NS
Solid Black Drawer Front, Black Designer Handle	ML24RDS3NB
Panel-Ready Solid Overlay Drawer Front, (Handle Not Included)*	ML24RDP3NP

*Easy installation! No panel kit required. Consult your cabinet maker for overlay panel and handle options.



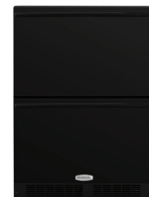
Finish Options



Stainless Steel



Solid Overlay (Panel Ready)*



Black

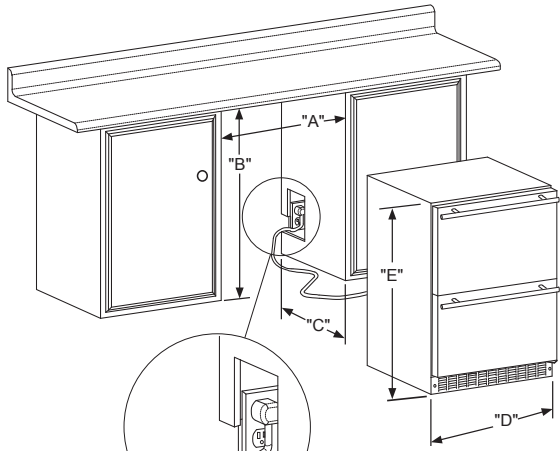
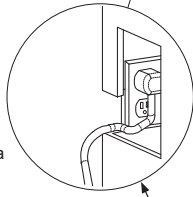


Figure 9

Figure 9a



If necessary to gain clearance inside the rough-in opening a hole can be cut through the adjacent cabinet and the power cord routed through this hole to a power outlet. Another way to increase the available opening depth is to recess the power outlet into the rear wall to gain the thickness of the power cord plug. Not all recessed outlet boxes will work for this application as they are too narrow, but a recessed outlet box equivalent to Arlington #DVFR1W is recommended for this application, (see Figure 10).



Figure 10

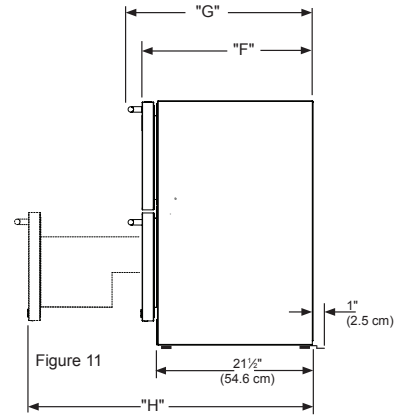
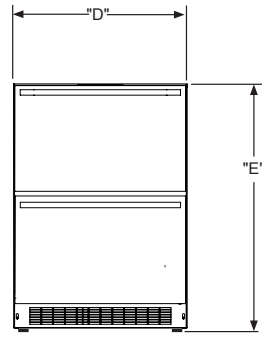



Figure 11

MODEL	ROUGH-IN OPENING DIMENSIONS			CABINET DIMENSIONS				
	"A"	"B"	"C"	"D"	"E"	"F"	"G"	"H"
ML24RDS	24" (61 cm)	**34" to 35" (86.4 cm to 88.9 cm)	24" (61 cm)	23 ⁷ / ₈ " (60.7 cm)	33 ³ / ₄ " to 34 ³ / ₄ " (85.7 cm to 88.3 cm)	23 ²³ / ₃₂ " (60.2 cm)	25 ²¹ / ₃₂ " (65.2 cm)	39 ⁹ / ₃₂ " (99.5 cm)
ML24RDP	24" (61 cm)	**34" to 35" (86.4 cm to 88.9 cm)	*24" (61 cm)	23 ⁷ / ₈ " (60.7 cm)	33 ³ / ₄ " to 34 ³ / ₄ " (85.7 cm to 88.3 cm)	22 ⁷ / ₈ " (58.1 cm)	-	38 ⁵ / ₁₆ " (97.3 cm)

DRAWER STYLE
(S) Solid Drawer
(P) Solid Overlay Drawer (no handle)

Width	23 7/8"
Interior Finish	White
Capacity	Up to 108 12-oz cans
Shelving System	NA
Shelf Fronts	NA
Other Storage	NA
Interior Lighting	1 White LED Pod per drawer
Toe Grill Finish	Black
Hinge	NA
Handle	Designer

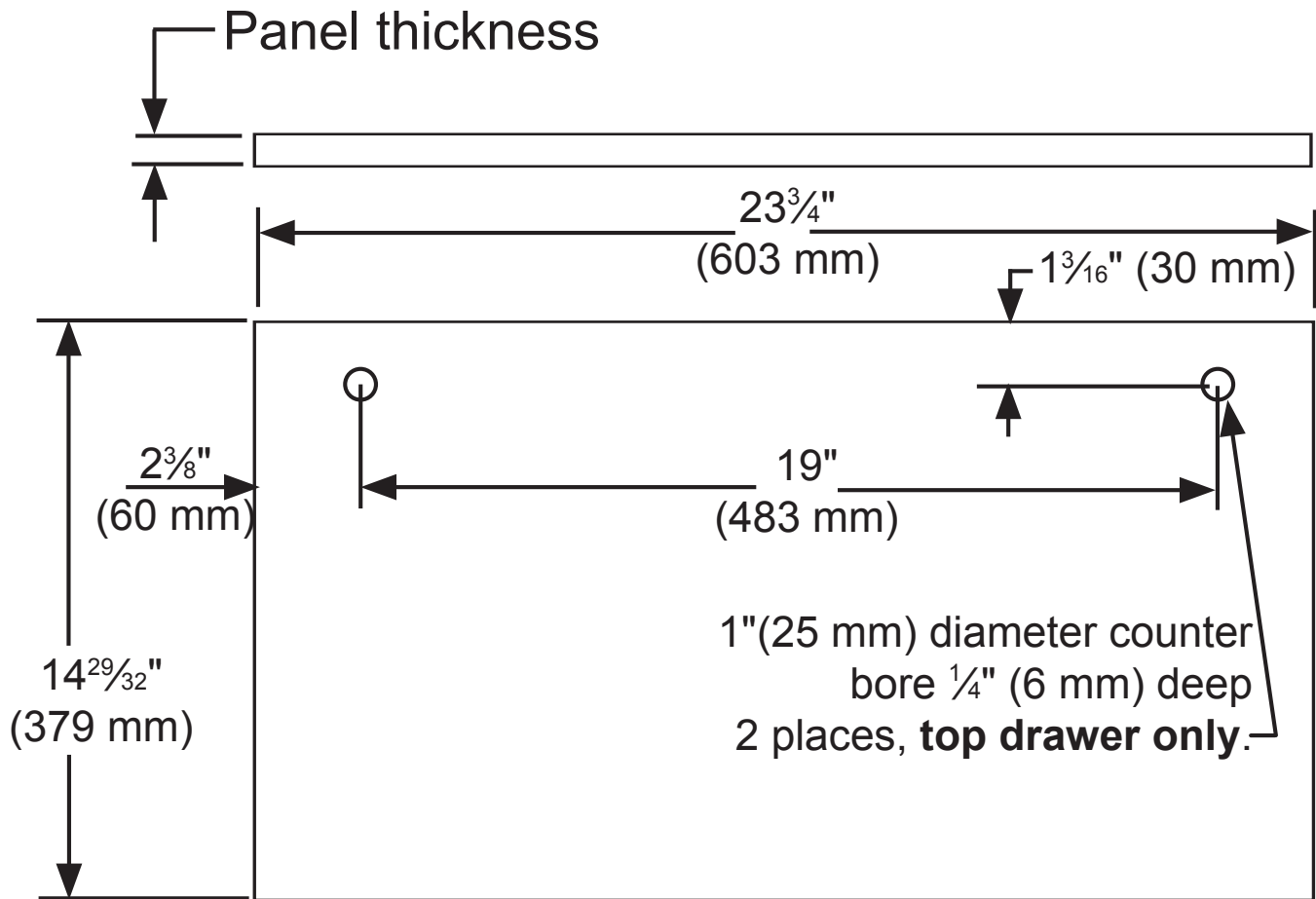
Control Type	Intuit™
Temperature Range	34° - 42° F
Lock	NA
Electrical Requirements	120V / 60Hz / 15A
Length of Power Cord	5'
Product Dimensions	23 7/8" W x 33 3/4" H x 21 1/2" D
Depth to Front of Door	23 23/32"
Depth to Handle	25 21/32"
Depth with door at 90°	29 5/32"
Shipping Weight	160 lbs

Finishes	SS, B, O
Vacation / Sabbath Mode	Yes
Agency Approvals	CSA
ENERGY STAR Certified	

Finishes Key

SS = Stainless Steel
 B = Black
 O = Overlay

Overlay Panels



For comprehensive installation instructions, please visit www.marvelrefrigeration.com to access the owner's guide.