

24" Northland Outdoor Built-in Undercounter All Refrigerator

Certified for outdoor use, the Northland Outdoor Refrigerator features full-depth cantilever shelving for adaptable cold storage. Its generous capacity can fit up to 190 cans!



Primary Features

- ENERGY STAR® certified
- Forced air cooling technology rapidly cools and ensures precise temperature stability
- Electronic controls allow you to select a temperature setting between 34°F to 42°F
- Perforated steel shelves allow cool air to efficiently circulate throughout the cabinet
- Daylight white lighting illuminates the rich midnight black interior
- Decorative stainless steel handle
- Right hinge only, non-reversible

Product Dimensions	23 7/8" w x 23 23/32" d x 33 3/4" h
Capacity	5.3 cu. ft.
Finish Options	Stainless Steel
Interior Color	Black
Handle	Slim Stainless Steel Handle
Toe Grill Finish	Stainless Steel
Hinge Type	Hinge Pin
Shelving	2 Cantilevered Shelves
Controls	Electronic
Temperature Range	34°F to 42°F
Electrical Requirements	115V / 60 Hz / 15A
Power Cord	6'
Shipping Weight	160 lbs
Agency Approvals	CSA
Warranty	1-year parts and labor warranty, 5-year sealed system parts warranty

Ordering Details

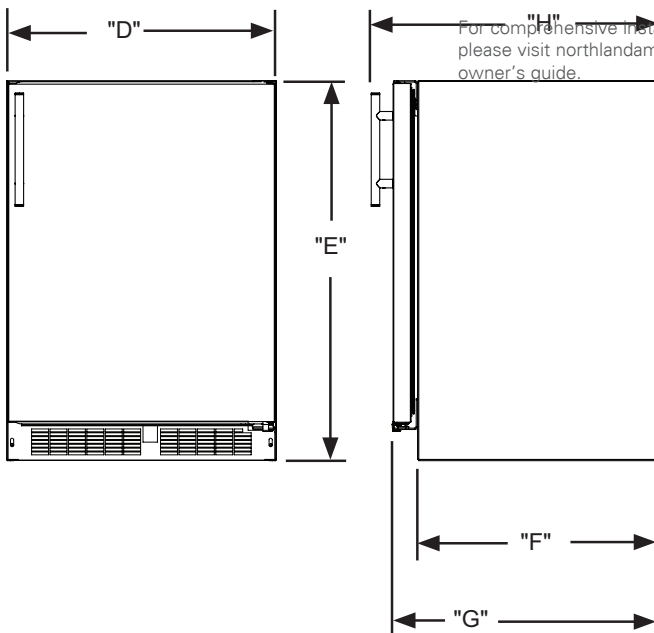
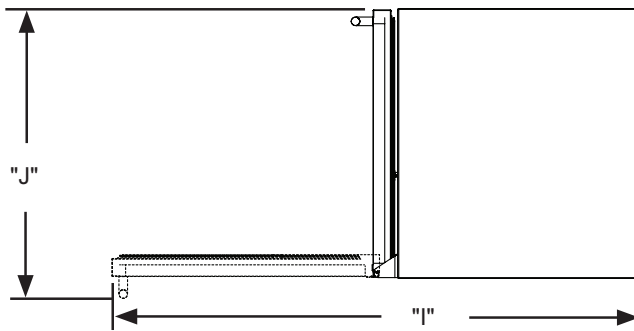
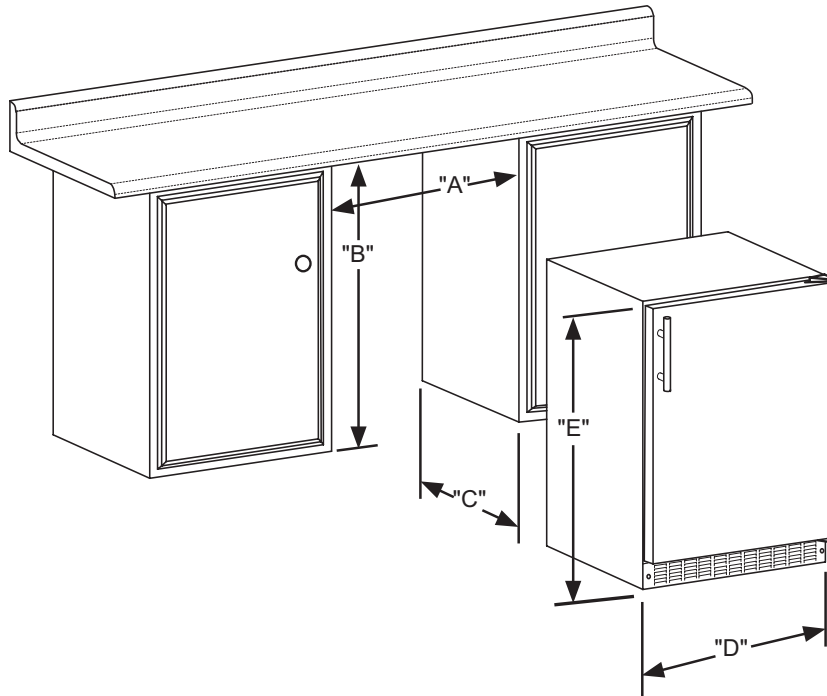
Product Description	Model Number
Solid Stainless Steel Door, Right Hinge	NO24RAS0RS

Finish Options



Stainless Steel





For comprehensive installation instructions, please visit northlandamerica.com to access the owner's guide.

Rough-In Dimensions

A. Rough-In Width	24"
B. Rough-In Height	34" to 35"
C. Rough-In Depth	24"

Product Dimensions

D. Width	23 7/8"
E. Height	33 3/4" to 34 3/4"
F. Depth	21 1/2"
G. Depth to Front of Door	23 23/32"
H. Depth to Handle	26 7/32"
I. Depth with Door at 90°	46 13/32"