

18 GAUGE STAINLESS STEEL KITCHEN SINK 41"

Undermount Series

- 18 Gauge Stainless Steel
- 18-10 Chrome Nickel content
- Triple bowl combination sink
- Installation hardware, template and instructions included
- **Waste fittings included**
- **45" cabinet required**



Nominal Dimensions:

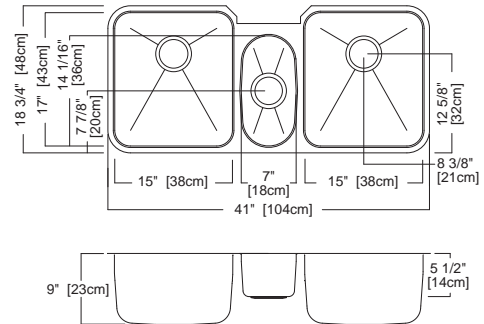
41" x 18 3/4" x 9"

Large Bowl Size:

15" wide
17" front to back
9" deep

Small Bowl Size:






7" wide
14 1/16" front to back
5 1/2" deep



Compliance Certifications:

IMPORTANT: Dimensions of fixtures are nominal and may vary within the range of tolerances established by ASME A112.19.3. These measurements are subject to change or cancellation. No responsibility is assumed for use of superseded or voided leaflet.

To Be Specified:

- | | | | | | |
|--|---|--------------------------------|--|---|-----------------------------|
| <input type="checkbox"/> 8241.121500.075 |  | Stainless steel drainer basket | <input type="checkbox"/> 8445.131500.075 |  | Stainless steel bottom grid |
| <input type="checkbox"/> 8443.061300.075 |  | Stainless steel mesh colander | | | |
| <input type="checkbox"/> 8443.101500.075 |  | Stainless steel mesh colander | | | |
| <input type="checkbox"/> 8445.131500.075 |  | Stainless steel bottom grid | | | |