



MAINSTREAM® RIGHT HEIGHT® ELONGATED w/AQUAGUARD® TANK LINER COMPLETE TOILET

VITREOUS CHINA

BARRIER FREE

MAINSTREAM® RIGHT HEIGHT® ELONGATED w/AQUAGUARD® TANK LINER COMPLETE TOILET

□ 3470.528

- Includes tank liner to reduce condensation
- Vitreous china
- Meets definition for HET (High Efficiency Toilet)
- High Efficiency (1.28 gpf/4.8 Lpf)
- Meets EPA WaterSense® criteria
- 16-1/2" rim height for accessible applications
- EverClean® surface inhibits the growth of stain and odor causing bacteria, mold and mildew on the surface
- Elongated siphon action bowl with direct-fed jet
- Generous 9" x 8" water surface area
- Fully glazed 2" Trapway
- Sanitary dam on bowl with three point tank stabilization
- Pilot Valve Water Control
- Good flush performance with a 2" Flapper flush valve
- Chrome handle
- 2 color-matched bolt caps
- Includes color-matched solid plastic seat and cover
- Wax ring gasket with closet bolts
- 100% factory flush tested
- Lifetime warranty on chinaware, 5 year warranty on all mechanical parts, and 1 year warranty on seat



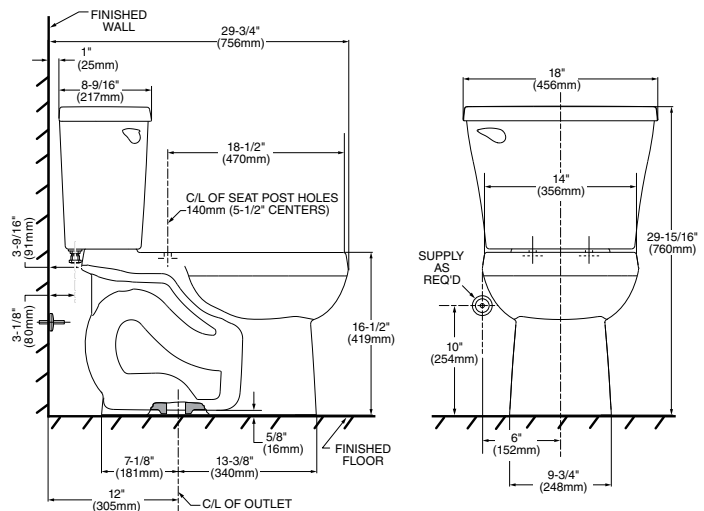
Nominal Dimensions:

756 x 456 x 760mm
(29-3/4" x 17-15/16" x 29-15/16")

Compliance Certifications -

Meets or Exceeds the Following Specifications:

- ASME A112.19.2-2008/CSA B45.1-08 for Vitreous China Fixtures
- US EPA WaterSense® Specification for HET's



NOTES:

THIS COMBINATION IS DESIGNED TO ROUGH-IN AT A MINIMUM DIMENSION OF 305MM (12") FROM FINISHED WALL TO C/L OF OUTLET.

* DIMENSION SHOWN FOR LOCATION OF SUPPLY IS SUGGESTED. SUPPLY NOT INCLUDED WITH FIXTURE AND MUST BE ORDERED SEPARATELY.

IMPORTANT: Dimensions of fixtures are nominal and may vary within the range of tolerance established by ANSI Standard A112.19.2. These measurements are subject to change or cancellation. No responsibility is assumed for use of superseded or voided pages.

To Be Specified:

- Color: □ White □ Bone
- Supply with stop:

MEETS THE AMERICANS WITH DISABILITIES ACT GUIDELINES AND ICC ANSI A117.1 REQUIREMENTS FOR ACCESSIBLE AND USABLE BUILDING FACILITIES-CHECK LOCAL CODES.

