

**AXIS™ 36" CURVED SHOWER
BASE AND DRAIN**

☐ **3636A-ST3 CURVED SHOWER BASE**

Product Features:

- Durable acrylic construction with fiberglass reinforcement for lasting beauty
- Accessible, low, single threshold design for easy entry and exit
- Curved design for more comfortable floor space
- Center drain location
- Shower drain with stainless steel drain cover included
- Integral water retention flanges to prevent behind-the-wall leaks and makes tiling easier
- Limited Lifetime Warranty

Nominal Dimensions:

36" x 36" x 3-1/4"
(914 x 914 x 82mm)

Compliance Certifications -

Meets or Exceeds the Following Specifications:

- CSA B45.5 / IAPMO Z124

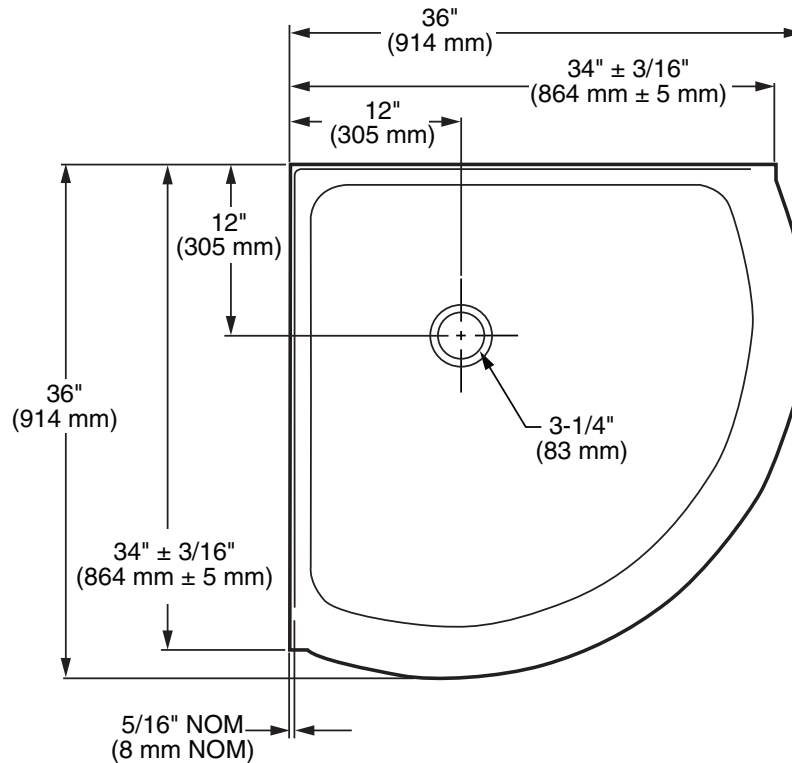


SEE REVERSE SIDE FOR ROUGHING-IN
DIMENSIONS AND PRODUCT SPECIFICATIONS

NOTES:

REFER TO INSTALLATION INSTRUCTIONS SUPPLIED WITH SHOWER
BASE FOR ADDITIONAL INFORMATION.

IMPORTANT: Dimensions of fixtures are nominal and may vary within the
range of tolerances established by ANSI Standard CSA B45.5 / IAPMO Z124.
These measurements are subject to change or cancellation. No responsibil-
ity is assumed for use of superseded or voided pages.



GENERAL SPECIFICATIONS FOR 3636A-ST3 SHOWER BASE

INSTALLED SIZE	36 x 36 x 3-1/4 IN. (914mm x 914mm x 82mm)
WEIGHT	31.5 LBS. (14 Kg.)
WEIGHT w/WATER	85 LBS. (39 Kg.)
SHOWER WELL AT SUMP	28 x 28 IN. (711mm x 711mm)
SHOWER WELL AT RIM	29-5/8 x 29-5/8 IN. (752mm x 752mm)
FLOOR LOADING (PROJECTED AREA)	11 LBS./SQ. FT. (51 Kgs/Sq. m.)