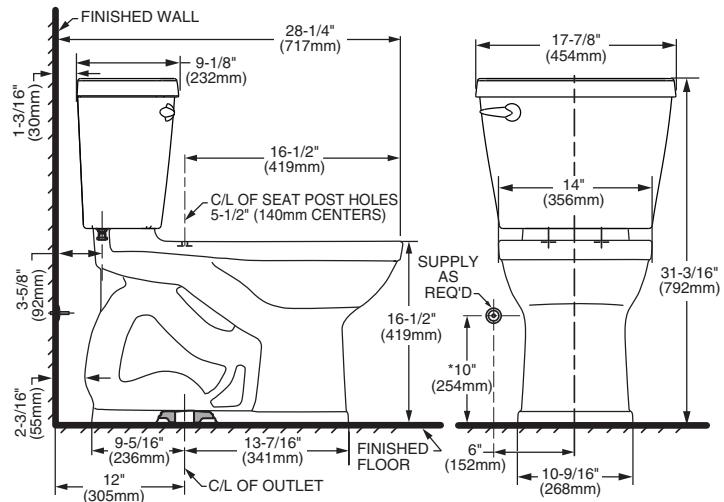


**CHAMPION® 4 RIGHT HEIGHT®
ROUND FRONT COMPLETE TOILET**

□ 731BA.001S

- Clog resistant - Can flush 2.2 pounds of solid waste in a single flush
- Superior solid waste removal with 1,000 gram MaP score**
- Vitreous china
- 2-3/8" fully-glazed trapway
- Toilet stays cleaner longer with EverClean® surface. EverClean surface inhibits the growth of stain- and odor-causing bacteria, mold, and mildew on the surface
- Low-consumption (6.0 Lpf/1.6 gpf)
- 4" piston action Accelerator™ flush valve
- ADA compliant for ADA accessible applications
- PowerWash® rim rinses the bowl with pressurized water with every flush
- Chrome finish handle
- Sweeping pier on bowl helps omit buildup of dust and dirt in the crevice between the tank and the bowl
- 100% factory flush tested
- Slow close seat included
- Lifetime warranty on chinaware, 10 year warranty on all mechanical parts and 1 year warranty on seat
- **Easy Installation.** Everything needed for toilet installation is included and can be hand tightened
- Complete Toilet includes: Wax ring, 2 bolt caps, closet bolts, seat and handle



Nominal Dimensions:
28-1/4" x 17-7/8" x 31-3/16"
(717 x 454 x 792mm)

**Compliance Certifications -
Meets or Exceeds the Following Specifications:**

- ASME A112.19.2/CSA B45.1 for Vitreous China Fixtures

NOTES:
THIS TOILET IS DESIGNED TO ROUGH-IN AT A MINIMUM DIMENSION OF 305MM (12") FROM FINISHED WALL TO C/L OF OUTLET. SUPPLY NOT INCLUDED WITH FIXTURE AND MUST BE ORDERED SEPARATELY.
* DIMENSION SHOWN FOR LOCATION OF SUPPLY IS SUGGESTED.

IMPORTANT: Dimensions of fixtures are nominal and may vary within the range of tolerances established by ASME A112.19.2/CSA B45.1. These measurements are subject to change or cancellation. No responsibility is assumed for use of superseded or voided pages.

To Be Specified:
 Color: White
 Supply with stop:

** Maximum Performance (MaP) testing performed by IAPMO R&T Lab. MaP Report conducted by Gauley Associates Ltd. and Koeller and Company.

MEETS THE AMERICANS WITH DISABILITIES ACT GUIDELINES AND ICC ANSI A117.1 REQUIREMENTS FOR ACCESSIBLE AND USABLE BUILDING FACILITIES-CHECK LOCAL CODES.

