

**CLEAN® CONCEALED TRAPWAY
RIGHT HEIGHT® ELONGATED COMPLETE TOILET**

2514.101S.020

- Superior solid waste removal with 1,000 gram MaP score**
- Meets definition for HET (High Efficiency Toilet)
- High efficiency (4.8 Lpf/1.28 gpf)
- Meets EPA WaterSense® criteria
- 305mm (12") rough-in
- 16-1/2" rim height for accessible applications
- Toilet stays cleaner longer with EverClean® surface. EverClean surface inhibits the growth of stain- and odor-causing bacteria, mold, and mildew on the surface
- Elongated siphon action jetted bowl with smooth-sided, concealed trapway
- Generous 9" x 8" water surface area
- PowerWash® rim rinses the bowl with pressurized water with every flush
- Oversized 3" flush valve
- **Easy Installation.** Everything needed for toilet installation is included and can be hand tightened
- Chrome-plated handle
- 2-1/8" glazed trapway
- Slow close, easy-to-clean quick release seat included
- 2 color-matched bolt hole covers
- 100% factory flush tested
- Lifetime warranty on chinaware, 10 year warranty on all mechanical parts, and 1 year warranty on seat



SEE REVERSE FOR ROUGHING-IN DIMENSIONS

Nominal Dimensions:

30-1/4" x 15-3/4" x 30-3/4"
(768 x 400 x 781mm)

Fixture, toilet seat, wax ring, and bowl bolts only.
Supply by others

Compliance Certifications -

Meets or Exceeds the Following Specifications:

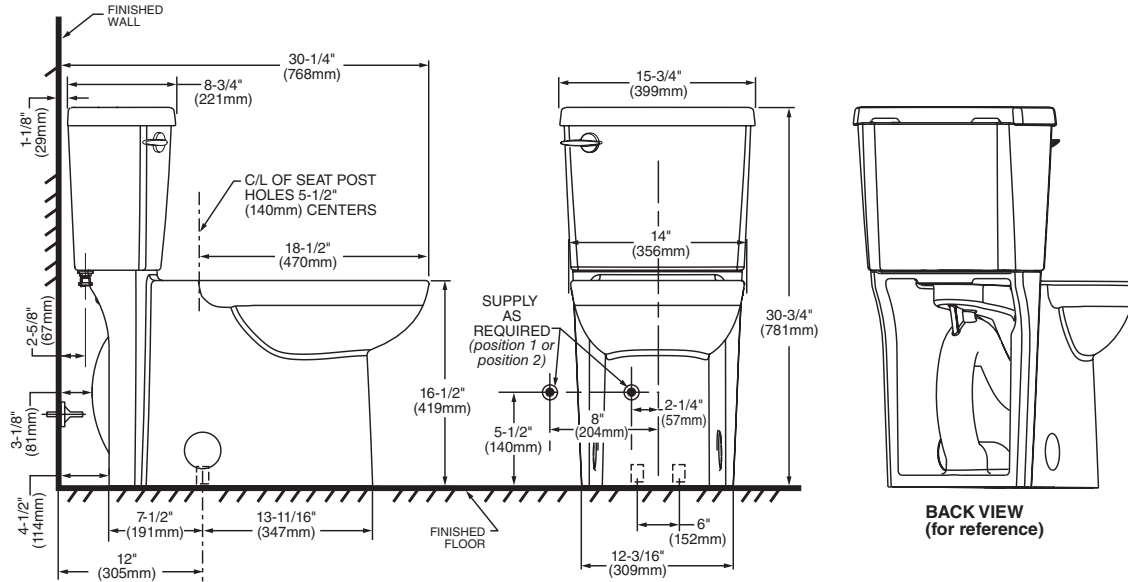
- ASME A112.19.2-2008/CSA B45.1-08 for Vitreous China Fixtures
- US EPA WaterSense® Specification for HET's

To Be Specified:

- Color: White
- Supply with stop:

** Maximum Performance (MaP) testing performed by IAPMO R&T Lab. MaP Report conducted by Gauley Associates Ltd. and Koeller and Company.





IMPORTANT: Water supply on the wall is required at 2-1/4" or 8" from centerline of the toilet (see rough-in). First suggested position is hidden behind the toilet. The geometry of the toilet gives space for this installation. The second suggested position is next to the toilet. Between these two positions, the space for the supply between wall and toilet is limited to 4-1/2". In this case, check your supply and hose dimensions.

NOTES:

THIS COMBINATION IS DESIGNED TO ROUGH-IN AT A MINIMUM DIMENSION OF 305MM (12") FROM FINISHED WALL TO C/L OF OUTLET.
* DIMENSIONS SHOWN FOR LOCATION OF SUPPLY ARE SUGGESTED.
SUPPLY NOT INCLUDED WITH FIXTURE AND MUST BE ORDERED SEPARATELY.

IMPORTANT: Dimensions of fixtures are nominal and may vary within the range of tolerance established by ANSI Standard A112.19.2. These measurements are subject to change or cancellation. No responsibility is assumed for use of superseded or voided pages.