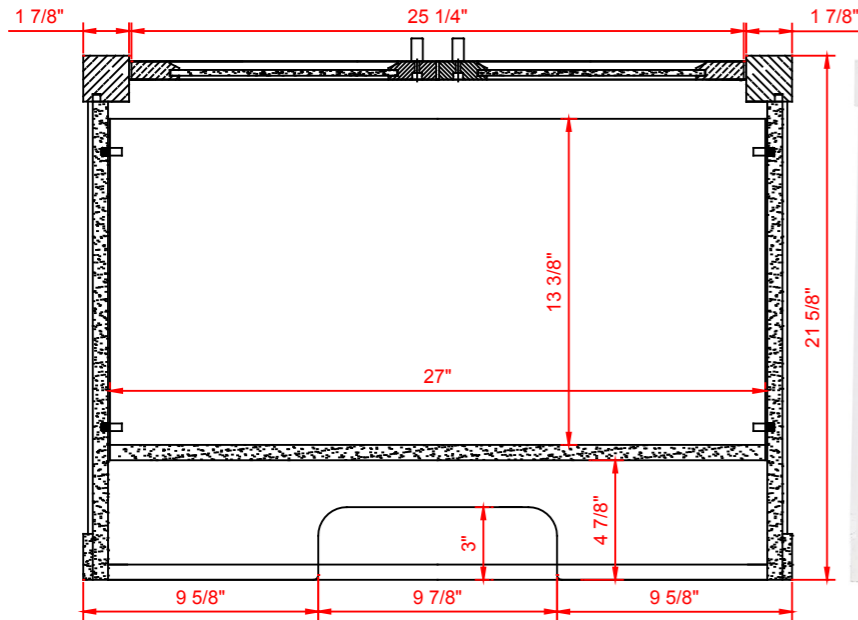


# INSTALLERS DIAGRAM

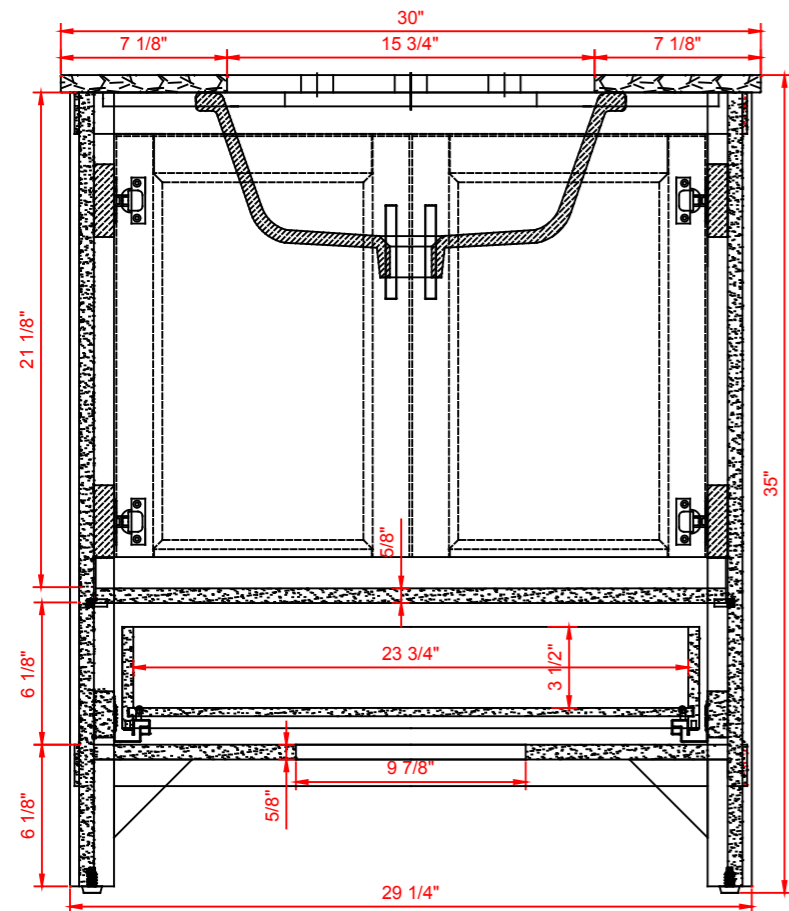
Greentouch

DURHAM

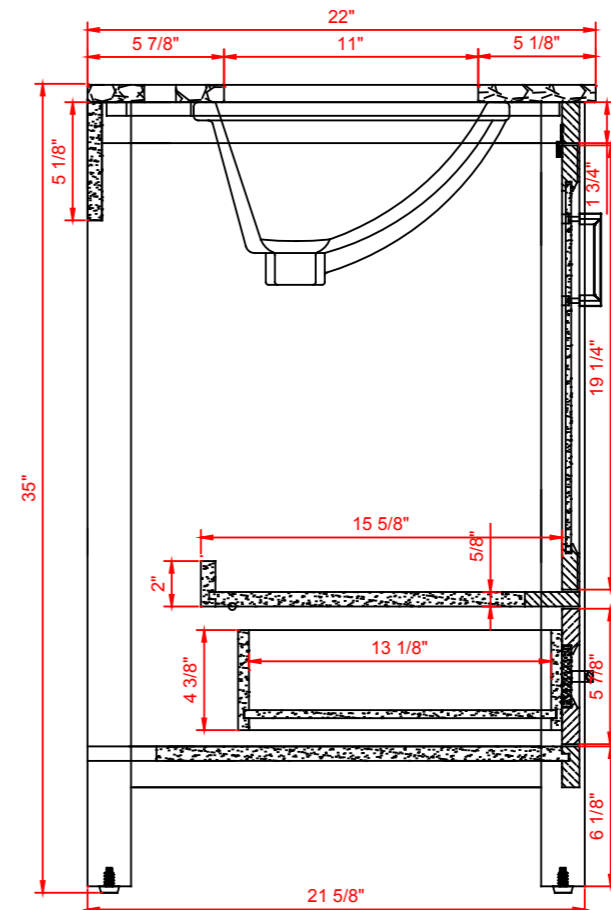
MODEL NUMBER:1328VA-30



TOP VIEW



BACK VIEW



SIDE VIEW