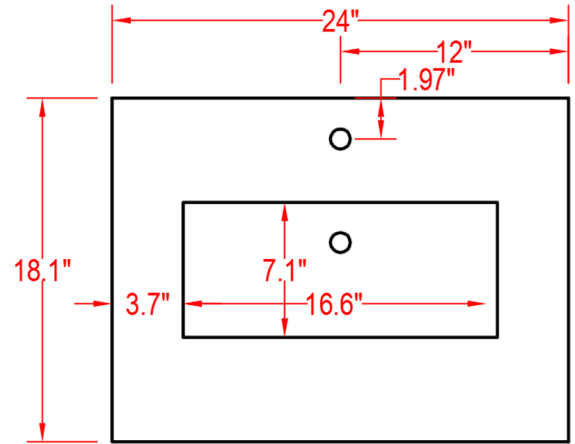
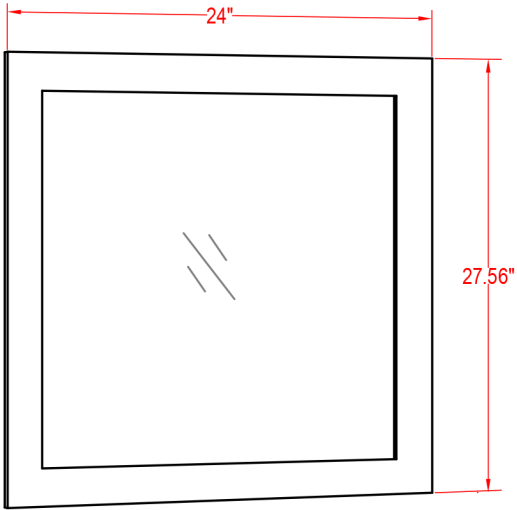


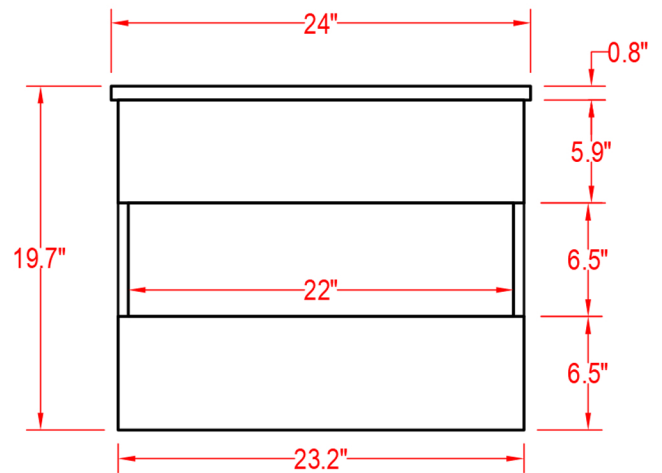
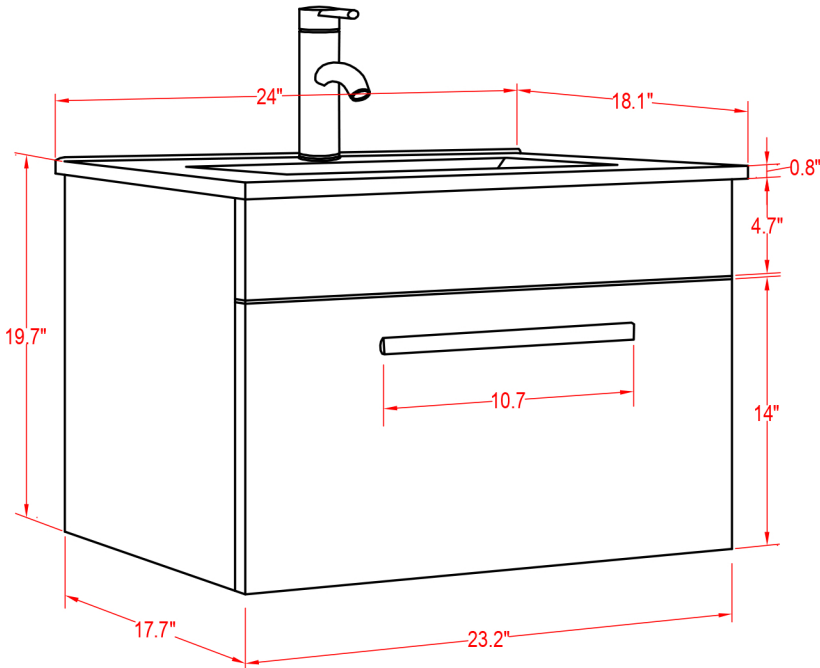


Specification Sheet

Nepal 24" Vanity



(PLAN)



(BACK)



ALL DIMENSIONS & SPECIFICATIONS
ARE APPROXIMATE & SUBJECT TO
CHANGE WITHOUT NOTICE.