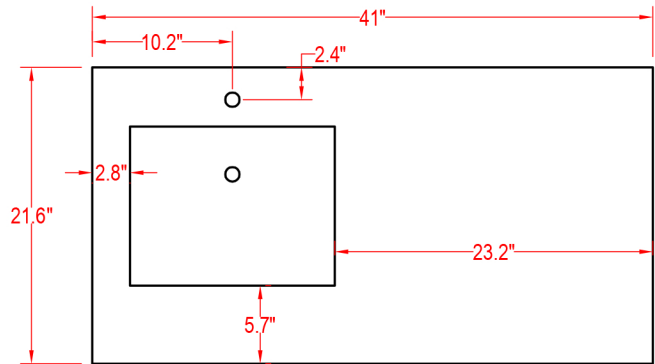
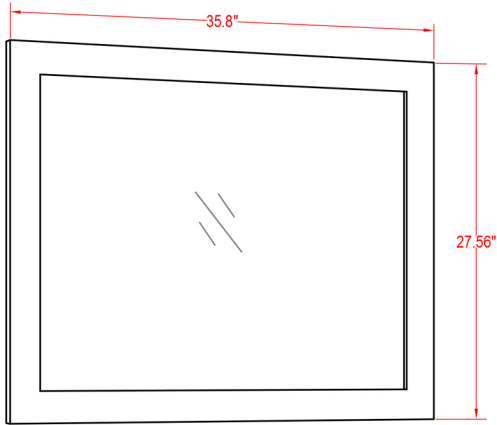


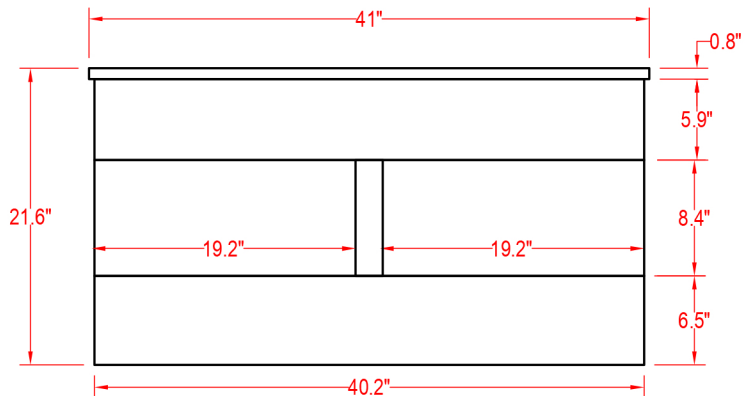
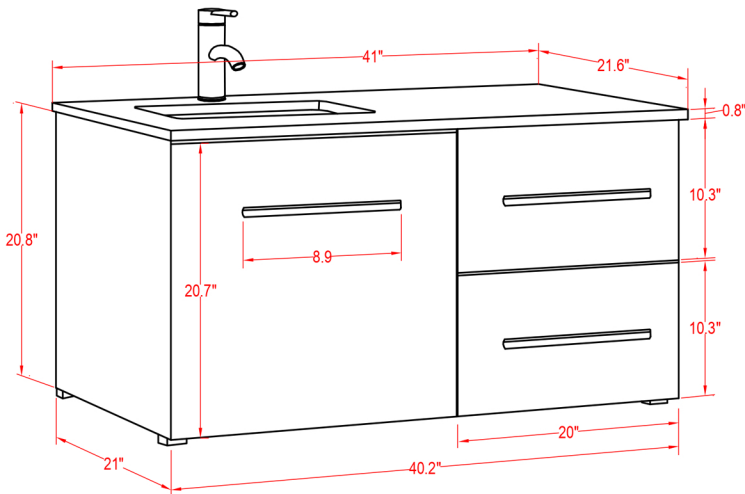


# Specification Sheet

## Nepal 41" Vanity



(PLAN)



(BACK)



ALL DIMENSIONS & SPECIFICATIONS ARE APPROXIMATE & SUBJECT TO CHANGE WITHOUT NOTICE.