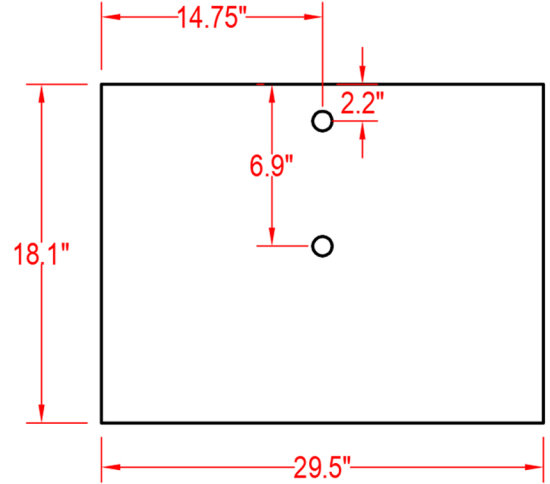
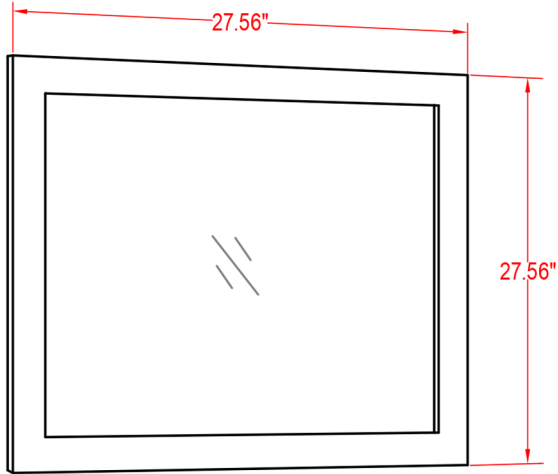


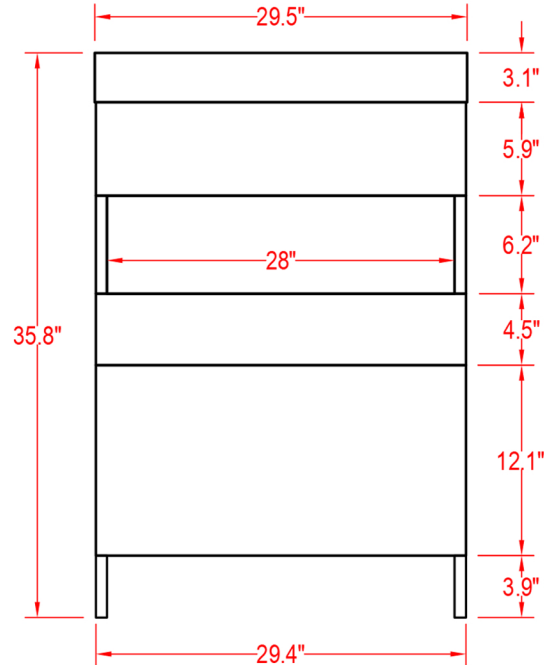
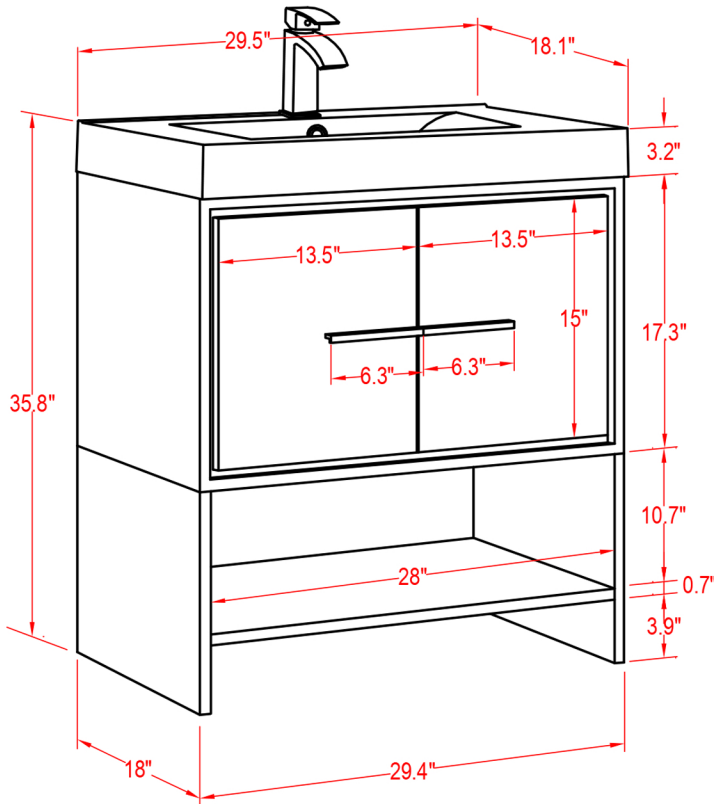


# Specification Sheet

## Cypress 30" Vanity



(PLAN)



(BACK)



ALL DIMENSIONS & SPECIFICATIONS  
ARE APPROXIMATE & SUBJECT TO  
CHANGE WITHOUT NOTICE.