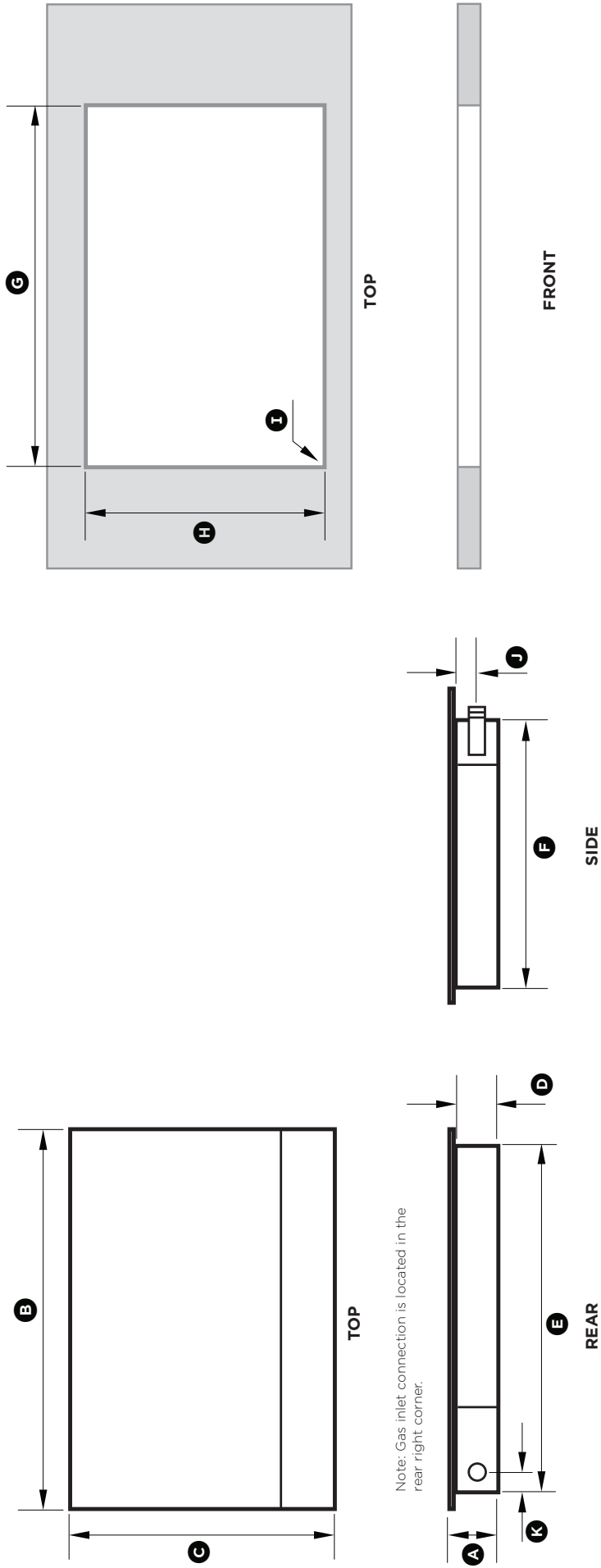


④ PRODUCT & CABINERY DIMENSIONS



PRODUCT DIMENSIONS	CG244D		CG305D		CG365D	
	inches (mm)	inches (mm)	inches (mm)	inches (mm)	inches (mm)	inches (mm)
A Overall height of product (excluding burners, dials and pan supports)	2 1/2" (64)	2 1/2" (64)	2 1/2" (64)	2 1/2" (64)	2 1/2" (64)	2 1/2" (64)
B Overall width of product	23 5/8" (600)	23 5/8" (600)	29 1/2" (749)	29 1/2" (749)	35 1/2" (900)	35 1/2" (900)
C Overall depth of product	20 7/8" (530)	20 7/8" (530)	20 7/8" (530)	20 7/8" (530)	20 7/8" (530)	20 7/8" (530)
D Height of chassis (below top of counter)	2 5/16" (59)	2 5/16" (59)	2 5/16" (59)	2 5/16" (59)	2 5/16" (59)	2 5/16" (59)
E Width of chassis	21 7/8" (555)	21 7/8" (555)	27 1/2" (698)	27 1/2" (698)	33 11/16" (856)	33 11/16" (856)
F Depth of chassis	19 1/8" (486)	19 1/8" (486)	19 1/8" (486)	19 1/8" (486)	19 1/8" (486)	19 1/8" (486)
G Overall width of cutout	22 1/16" (560)	22 1/16" (560)	27 3/4" (705)	27 3/4" (705)	34 1/16" (865)	34 1/16" (865)
H Overall depth of cutout	19 5/16" (490)	19 5/16" (490)	19 5/16" (490)	19 5/16" (490)	19 5/16" (490)	19 5/16" (490)
I Corner radius of cutout	max. 3/8" (10)	max. 3/8" (10)	max. 3/8" (10)	max. 3/8" (10)	max. 3/8" (10)	max. 3/8" (10)
J Distance from top of counter to center of gas inlet on product	1 1/4" (32)	1 1/4" (32)	1 1/4" (32)	1 1/4" (32)	1 1/4" (32)	1 1/4" (32)
K Distance from edge of chassis to gas inlet on product	13/16" (21)	13/16" (21)	13/16" (21)	13/16" (21)	13/16" (21)	13/16" (21)