

## QUICK REFERENCE GUIDE

DD24DDFTX7

# DOUBLE DISHDRAWER™ TALL DISHWASHER



This Double DishDrawer™ Tall dishwasher is designed for extra headroom. The increased drawer height fits 13" plates, making cleaning up after dinner parties a breeze. This model can also easily accommodate oversized platters and extra-long stemmed glasses.



### A PEACE OF MIND SALE

24 Hours 7 Days a Week Customer Support

T 1.888.936.7872 W [fisherpaykel.com](http://fisherpaykel.com)

## FEATURES & BENEFITS

<b>Independent Drawers</b>	If kitchens are being redesigned around drawers, it makes sense that dishwashers are as well. DishDrawer™ dishwashers require less movement to open, load and close and require no bending - bringing better ergonomics into the kitchen. We have also found new ways to make dishwashing even easier by increasing the height of the drawer to allow for even larger plates and platters.
<b>Superior Cleaning</b>	Unique SmartDrive™ technology has few moving parts, resulting in greater reliability. The pump brings water into the spray arm, which rotates at different speeds depending on the wash cycle selected, to deliver a superior clean and better dish care.
<b>Nine Wash Options</b>	This DishDrawer™ dishwasher features nine essential wash programs: Rinse, Fast, Delicate, Normal Eco, Normal and Heavy. The range of settings enables this DishDrawer™ dishwasher to wash everything from fine glass and crystal to heavily soiled pots and pans at the touch of a button. A single control interface provides simple program selection and operation, while the 'delay' start setting means the dishes can be done when it's most convenient.
<b>Reliable Filtration</b>	One of the challenges in all dishwashers is a robust filter system that removes debris and avoids blocking. This DishDrawer™ dishwasher has a 3 stage filtration process with removable components for easy and hygienic cleaning.
<b>Simple Racking System</b>	DishDrawer™ dishwashers have simple and useful racking options. The cutlery basket can be customized for different utensils. Cup racks and tines can be folded flat to accommodate pots or upwards to hold glassware. Wine glass holders ensure that short and long stemmed glasses are secure throughout the wash.

<b>SKU Code</b>	84673
<b>UPC Code</b>	822843846733

## SPECIFICATIONS

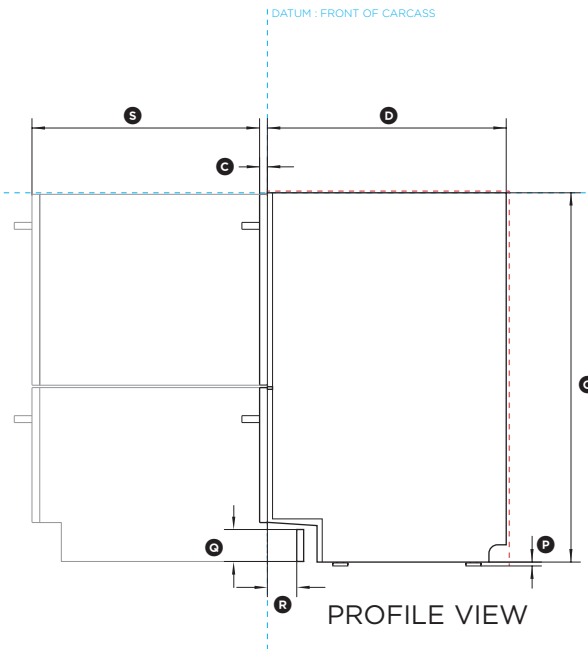
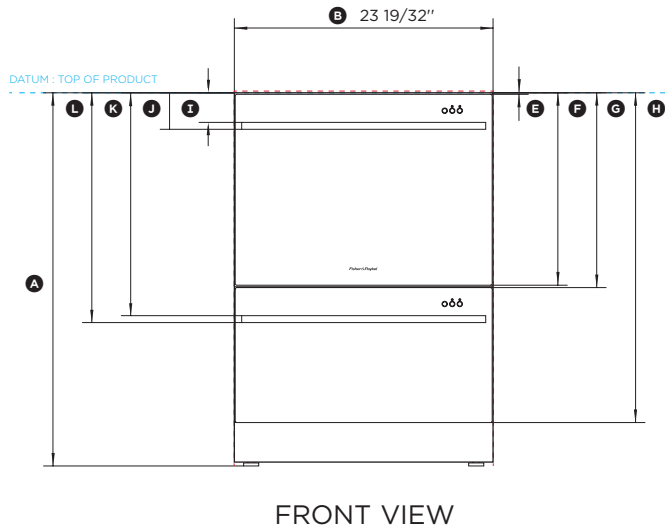
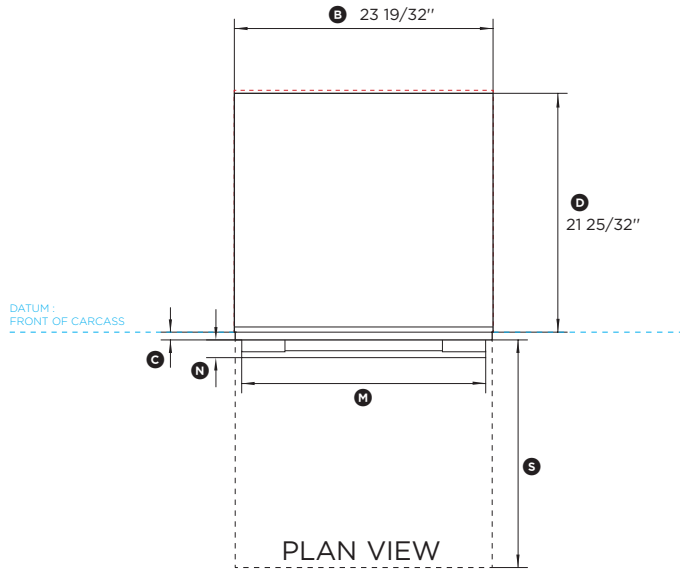
<b>Finish</b>	EZKleen stainless steel flat door
<b>Dimensions (excluding handles)</b>	H34 -36 3/8" x W23 19/32" x D22 15/32"
<b>Energy Star Certified</b>	●
<b>Energy usage (kWh per year)</b>	276
<b>Water usage</b>	2 gallons per drawer
<b>Performance</b>	
SmartDrive™ technology	●
Flow through detergent dispenser	●
Fan assisted drying	●
<b>Capacity and loading</b>	
Place settings per drawer	7
Flexible racking system	●
Fold down & pitch adjustable tines	●
Fold down cup racks & height adjustable cup racks	●
Accommodates plates up to	13" top drawer, 11 1/2" bottom drawer
<b>Wash programs</b>	9
Genuine half load wash option	●
Eco options	●
<b>Safety</b>	
Three stage total flood protection	●
<b>Controls</b>	
Key lock	●
Child lock	●
<b>Power requirements</b>	
Supply voltage	110 - 120V
Supply frequency	60Hz
AMP draw	10.6A
<b>Accessories</b>	
Cutlery basket	2
Knife clip	2
<b>Manufacturer's warranty</b>	1 year

For full specifications visit [fisherpaykel.com](http://fisherpaykel.com)

**Fisher & Paykel**

**DATA SHEET**

**24" DOUBLE DISHDRAWER™ TALL DISHWASHER**



Model no:

**DD24DDFTX7**

Product Dimensions	in
Ⓐ Overall height* of DishDrawer™ dishwasher	34 1/32" 36 3/8"
Ⓑ Overall width of DishDrawer™ dishwasher	23 19/32"
Ⓒ Depth of DishDrawer™ dishwasher front panel (excludes handle)	23/32"
Ⓓ Depth of DishDrawer™ dishwasher chassis	21 25/32"
Ⓔ Height from top datum to top of top drawer panel	5/32"
Ⓕ Height from top datum to bottom of top drawer panel	17 9/16"
Ⓖ Height from top datum to top of bottom drawer panel	17 3/4"
Ⓗ Height from top datum to bottom of bottom drawer panel	30 3/32"
Ⓘ Height from top datum to top of top handle	2 23/32"
Ⓚ Height from top datum to bottom of top handle	3 11/32"
Ⓛ Height from top datum to top of bottom handle	20 5/16"
Ⓜ Height from top datum to bottom of bottom handle	20 15/16"
Ⓝ Width of handle	22 1/4"
Ⓟ Depth of handle measured from front of drawer	1 5/8"
Ⓢ Height of chassis at rear (not including mounted feet)	33 21/32"
Ⓣ Height of mounted feet (adjustable)	11/32" - 2 23/32"
Ⓤ Height of toekick panel (adjustable)	2 3/4" - 4 23/32"
Ⓡ Depth of toekick panel (adjustable)	1 3/16" - 3 5/8"
Ⓟ Depth of drawer (open) (measured from front drawer panel) excluding handle	21 15/32"

\* Includes adjustable mounted feet and the range of movement.

\* Note: Service outlet at rear extends both sides, hoses and cords can be routed to either or both.

Minimum Clearances	in
Minimum inside height of cavity from bottom datum	34 1/32"
Minimum inside width of cavity	23 5/8"
Minimum inside depth of cavity from front datum	22 1/16"

INDICATES CABINETRY CARCASS DATUM - - - - -  
INDICATES MINIMUM CABINETRY CLEARANCES - - - - -

DATE: 19.08.2015

IMPORTANT NOTE: Throughout this guide, dimensions may vary by ±2mm (±3/32"). Please read the installation manual for detailed information on installing the product. [www.fisherpaykel.com](http://www.fisherpaykel.com)